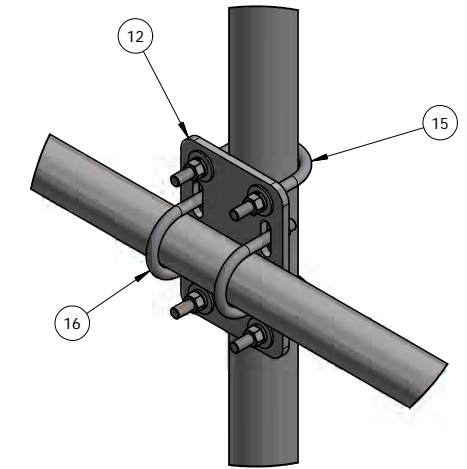




ITEM	PART #	DESCRIPTION	QTY	UNIT WT
1	MF3060-3.01	UNIVERSAL 30" TO 60" RING MOUNT WELDMENT	3	80.01
2	27-5588-005	GALV. 3/4" B7 ALL THREAD @ 42" LONG	9	5.25
3	27-5481-005	GALV. 3/4" FLAT WASHER	18	0.09
4	27-5490-005	GALV. 3/4" LOCK WASHER	18	0.05
5	27-5501-005	GALV. 3/4" HEX NUT REGULAR	18	0.14
6	LPCP-12HD.01	3-SECTOR LOW PROFILE PLATFORM HEAVY DUTY WELDMENT	3	188.95
7	27-5440-005	GALV. 5/8" x 2-1/4" A325 BOLT ASSEMBLY	12	0.31
8	27-5370-005	GALV. 5/8" FLAT WASHER	12	0.07
9	P35X-174	GALV. 3" SCH. 80 PIPE A53 GR-B @ 14'-6" LONG	3	148.82
10	27-6090-005	GALV. 1/2" x 3 5/8" x 5" U-BOLT ASSEMBLY	36	0.91
11	LPHK.04	1/2" BENT TRI-SECTOR HANDRAIL CORNER PLATE	3	23.47
12	CXP1	CROSS OVER PLATE 2-3/8" TO 3-1/2" O.D PIPE (3/8" PLATE)	24	4.81
13	P23X-174	GALV. 2" SCH.80 PIPE A53 GR-B @ 14'-6" LONG	3	72.90
14	P278X-120	GALV. 2-1/2" SCH.80 PIPE A53 GR-B @ 10'-0" LONG	12	76.69
15	27-6080-005	GALV. 1/2" x 3" x 5" GR-5 U-BOLT ASSEMBLY	48	0.89
16	27-6060-005	GALV. 1/2" x 2-1/2" x 4" GR-5 U-BOLT ASSEMBLY	36	0.76



DETAIL-A

QTY:
CHK:

*INCLUDES HD HANDRAIL KIT AND 2 1/2" XS PIPE x 10' LONG

STANDARD TOLERANCES:
(UNLESS OTHERWISE NOTED)
FRACTIONS ±1/16"
DECIMALS ±.005"
ANGLES ±.5°

THIS DESIGN AND INFORMATION CONTAINED ON THIS PRINT IS THE PROPERTY OF NEWAVE TOWER COMPONENTS LLC. ANY REPRODUCTION, DUPLICATION OR TRANSFER OF THE PROPRIETARY CONTENT IS PROHIBITED WITHOUT WRITTEN PERMISSION.

NEWAVE
Tower Components, 503-792-3739
10910 PORTLAND RD. BROOKS, OR 97305

MATERIAL: AS SHOWN	DRAWN BY: KY	TITLE: 3-SECTOR LOW PROFILE PLATFORM (HD) 14'-6" FACE, FITS 30" TO 60" O.D POLE
HOLES: AS SHOWN	CHECKED BY: CJW	SERIES: MONOPOLE MOUNTING
FINISH: HDG	DATE: 7/19/2016	PART WT (BARE): 2739.7 LB
		DRAWING NO. LPCP-14HD-25X10HK
		SHEET: 1 OF 1