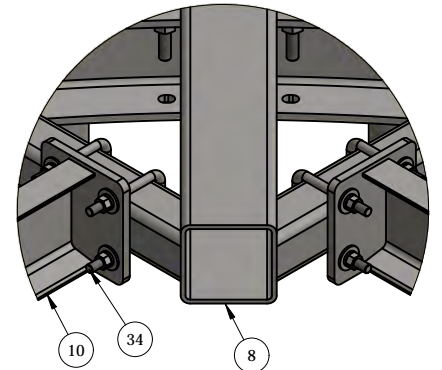
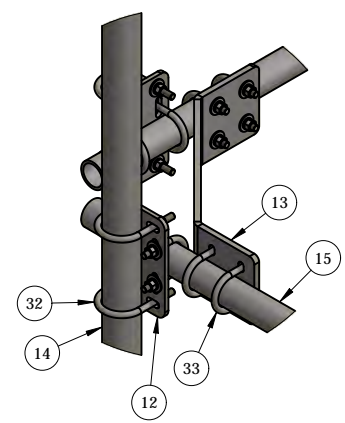


DETAIL - A



DETAIL - B

FULL ASSEMBLY



DETAIL - C

NOTE:
CUT 3/4" x 9" ALL-THREAD
FROM STOCK 3/4" x 18"

ITEM	PART #	QTY	DESCRIPTION	LENGTH	FINISH	UNIT WT
1	LPCP-14Q-LT1.01	3	120S FORMED W-BEAM SECTOR		HDG	371.60
2	LPCP-14Q-LT1.04	3	PLATFORM SUPPORT LEG WELDMENT		HDG	64.08
3	LPCP-14Q-LT1.06	3	5/8" PLATE		BARE	10.38
4	LPCP-14Q-LT1.07	3	UPPER TOWER CONNECTION SWIVEL WELDMENT		HDG	22.62
5	LPCP-14Q-LT1.10	3	LOWER TOWER CONNECTION SWIVEL WELDMENT		HDG	22.90
6	LPCP-14Q-LT1.11	3	HSS 5x5x1/4"	5'-11 1/2"	HDG	92.80
7	LPCP-14Q-LT1.12	7	1/2" PLATE		HDG	7.74
8	LPCP-14Q-LT1.13	4	4-SECTOR PLATFORM CORNER FRAME WELDMENT		HDG	289.11
9	LPCP-14Q-LT1.23	4	MIDDLE FRAME WELDMENT		HDG	110.44
10	LPCP-14Q-LT1.27	4	CHANNEL STIFFENER WELDMENT		HDG	66.04
11	LPCP-14Q-LT1.30	6	1/2" PLATE		HDG	12.25
12	CXP1	32	3/8" PLATE		SEE W/O	4.81
13	LPHK.05	4	1/2" BENT TRI-SECTOR HANDRAIL CORNER PLATE			23.40
14	P278X-120	16	2 1/2" XS PIPE	10'	HDG	76.69
15	P23X-174	4	2" XS PIPE	14'-6"	HDG	72.90
16		6	1" x 8" A325 HDG BOLT			2.17
17		6	1" x 7" A325 HDG BOLT			1.95
18	27-5702-005	24	1 F436 HDG FLAT WASHER			0.11
19	27-5704-005	12	1 HDG LOCK WASHER			0.09
20	27-5700-005	12	1 HDG HEAVY HEX NUT			0.47
21		12	3/4" x 9" B7 HDG ALL-THREAD	9"		1.13
22	27-5480-005	24	3/4 F436 HDG FLAT WASHER			0.06
23	27-5490-005	24	3/4 HDG LOCK WASHER			0.04
24	27-5500-005	24	3/4 HDG HEAVY HEX NUT			0.21
25	25-TR58-10	28	5/8" x 10" B7 HDG ALL-THREAD	10"		0.87
26	25-TR58-8	24	5/8" x 8" B7 HDG ALL-THREAD	8"		0.69
27	27-5430-005	44	5/8" x 2" A325 HDG BOLT			0.28
28	27-5372-005	104	5/8 F436 HDG FLAT WASHER			0.05
29	27-5380-005	148	5/8 HDG LOCK WASHER			0.03
30	27-5390-005	148	5/8 HDG HEAVY HEX NUT			0.13
31	27-6090-005	32	GALV. 1/2" x 3 5/8" x 5" U-BOLT ASSEMBLY			0.90
32	27-6080-005	64	GALV. 1/2" x 3" x 5" GR-5 U-BOLT ASSEMBLY			0.89
33	27-6060-005	48	GALV. 1/2" x 2-1/2" x 4" GR-5 U-BOLT ASSEMBLY			0.76
34	27-7008-005	16	GALV. 1/2" x 3-1/8" x 5" SQ. U-BOLT ASSEMBLY			0.78

THIS DESIGN AND INFORMATION CONTAINED ON THIS PRINT IS THE PROPERTY OF VALLEY FAB CORPORATION. ANY REPRODUCTION, DUPLICATION OR TRANSFER OF THE PROPRIETARY CONTENT IS PROHIBITED WITHOUT WRITTEN PERMISSION.

STANDARD TOLERANCES:
(UNLESS OTHERWISE NOTED)
FRACTIONS - 1/16"
DECIMALS - 0.01"
ANGLES - 0.5°

NEWAVE
TOWER COMPONENTS, 503-792-3739
10910 PORTLAND RD. BROOKS, OR 97305

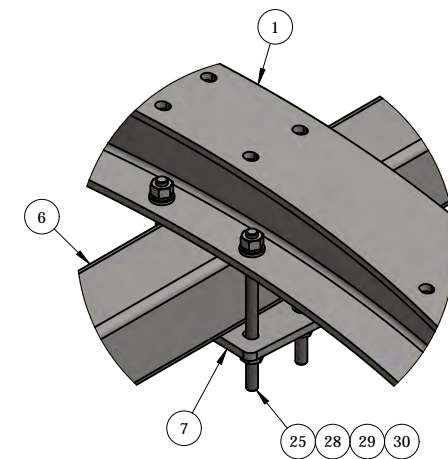
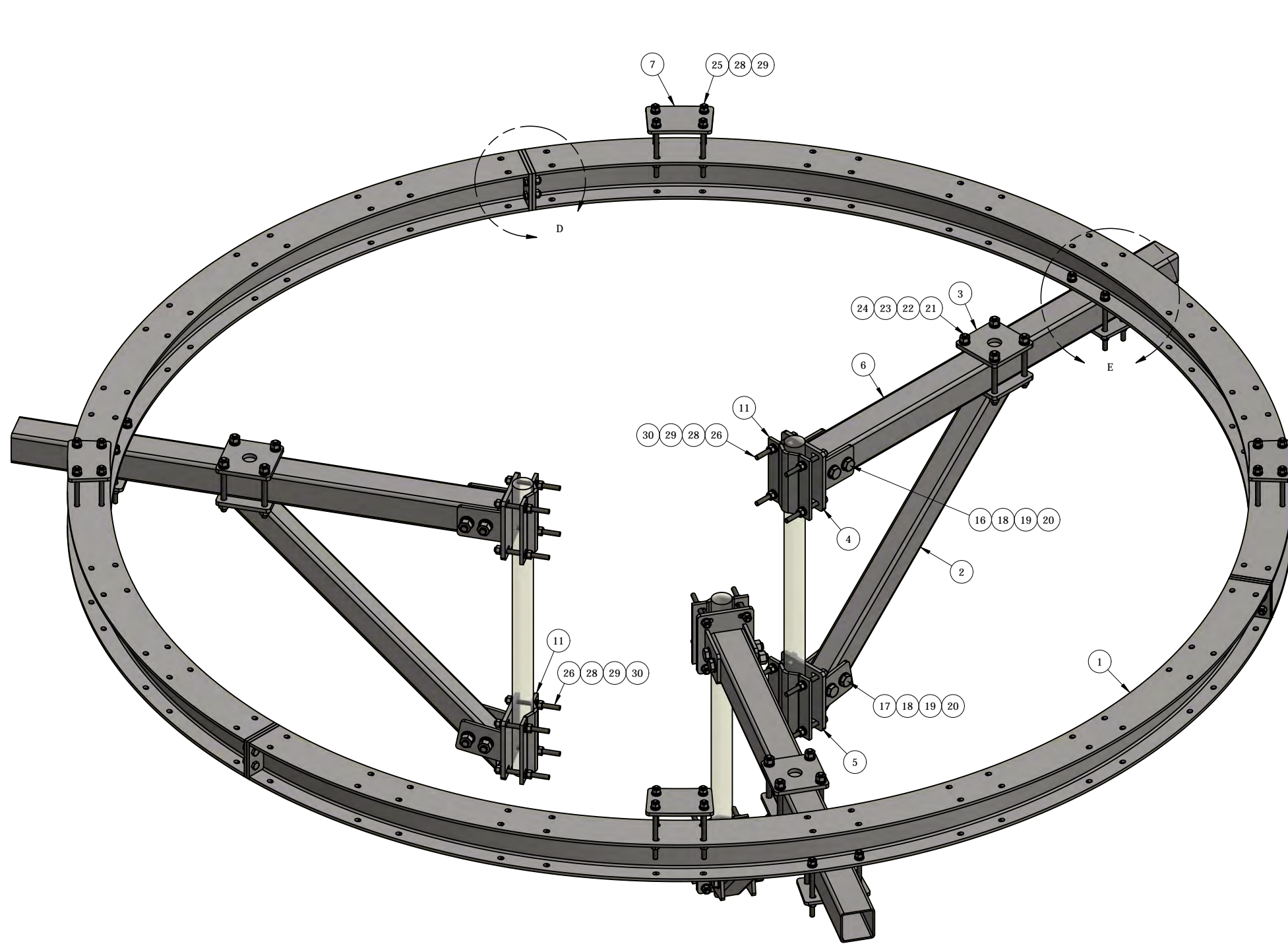
TOTAL WT: 5780.75 LB
QTY:
FINISH:
JOB #:

TITLE: 4-SECTOR 14' PLATFORM W/ HANDRAIL KIT FOR 3-SIDED LATTICE TOWER

SERIES: MONOPOLE MOUNTING SHEET: 1 OF 3

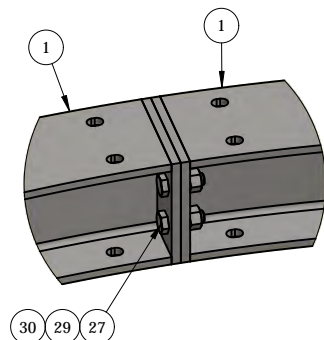
DRAWN BY: JG DATE: 7/17/2018 CHK'D BY: KY

DRAWING NO. LPCP-14Q-LT1



DETAIL - E

LOWER PLATFORM VIEW



DETAIL - D

ITEM	PART #	QTY	DESCRIPTION	LENGTH	FINISH	UNIT WT
1	LPCP-14Q-LT1.01	3	120S FORMED W-BEAM SECTOR		HDG	371.60
2	LPCP-14Q-LT1.04	3	PLATFORM SUPPORT LEG WELDMENT		HDG	64.08
3	LPCP-14Q-LT1.06	3	5/8" PLATE		BARE	10.38
4	LPCP-14Q-LT1.07	3	UPPER TOWER CONNECTION SWIVEL WELDMENT		HDG	22.62
5	LPCP-14Q-LT1.10	3	LOWER TOWER CONNECTION SWIVEL WELDMENT		HDG	22.90
6	LPCP-14Q-LT1.11	3	HSS 5x5x1/4"	5'-11 1/2"	HDG	92.80
7	LPCP-14Q-LT1.12	7	1/2" PLATE		HDG	7.74
8	LPCP-14Q-LT1.13	4	4-SECTOR PLATFORM CORNER FRAME WELDMENT		HDG	289.11
9	LPCP-14Q-LT1.23	4	MIDDLE FRAME WELDMENT		HDG	110.44
10	LPCP-14Q-LT1.27	4	CHANNEL STIFFENER WELDMENT		HDG	66.04
11	LPCP-14Q-LT1.30	6	1/2" PLATE		HDG	12.25
12	CXP1	32	3/8" PLATE		SEE W/O	4.81
13	LPHK.05	4	1/2" BENT TRI-SECTOR HANDRAIL CORNER PLATE			23.40
14	P278X-120	16	2 1/2" XS PIPE	10'	HDG	76.69
15	P23X-174	4	2" XS PIPE	14'-6"	HDG	72.90
18	27-5702-005	24	1 F436 HDG FLAT WASHER			0.11
19	27-5704-005	12	1 HDG LOCK WASHER			0.09
20	27-5700-005	12	1 HDG HEAVY HEX NUT			0.47
21		12	3/4" x 9" B7 HDG ALL-THREAD	9"		1.13
22	27-5480-005	24	3/4 F436 HDG FLAT WASHER			0.06
23	27-5490-005	24	3/4 HDG LOCK WASHER			0.04
24	27-5500-005	24	3/4 HDG HEAVY HEX NUT			0.21
25	25- TR58-10	28	5/8" x 10" B7 HDG ALL-THREAD	10"		0.87
26	25- TR58-8	24	5/8" x 8" B7 HDG ALL-THREAD	8"		0.69
27	27-5430-005	44	5/8" x 2" A325 HDG BOLT			0.28
28	27-5372-005	104	5/8 F436 HDG FLAT WASHER			0.05
29	27-5380-005	148	5/8 HDG LOCK WASHER			0.03
30	27-5390-005	148	5/8 HDG HEAVY HEX NUT			0.13
31	27-6090-005	32	GALV. 1/2" x 3 5/8" x 5" U-BOLT ASSEMBLY			0.90
32	27-6080-005	64	GALV. 1/2" x 3" x 5" GR-5 U-BOLT ASSEMBLY			0.89
33	27-6060-005	48	GALV. 1/2" x 2-1/2" x 4" GR-5 U-BOLT ASSEMBLY			0.76
34	27-7008-005	16	GALV. 1/2" x 3-1/8" x 5" SQ. U-BOLT ASSEMBLY			0.78
17		6	1" x 7" A325 HDG BOLT			1.95
TITLE:		6	1" x 8" A325 HDG BOLT			

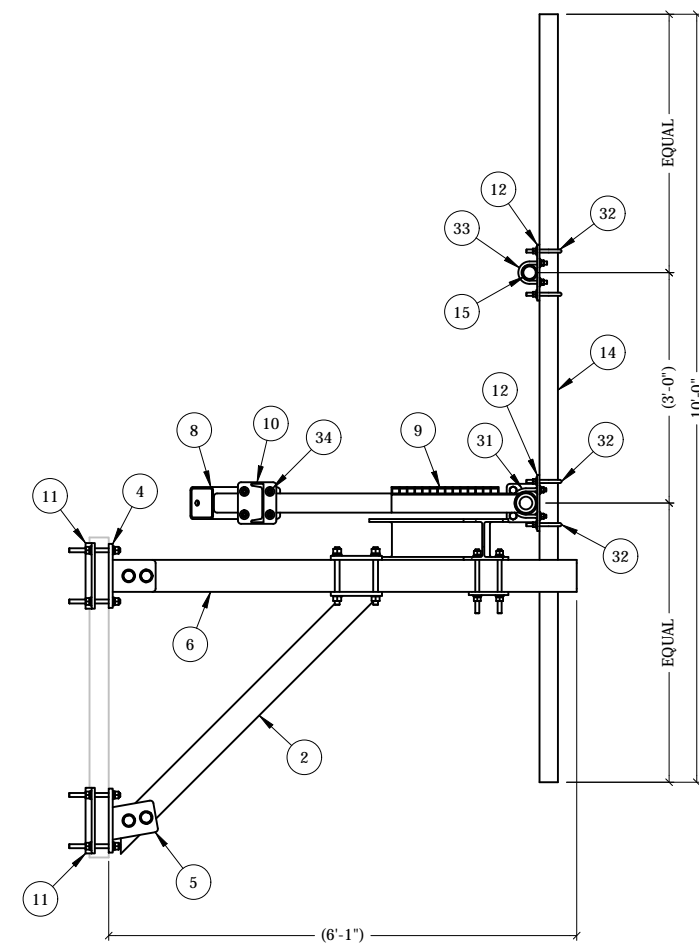
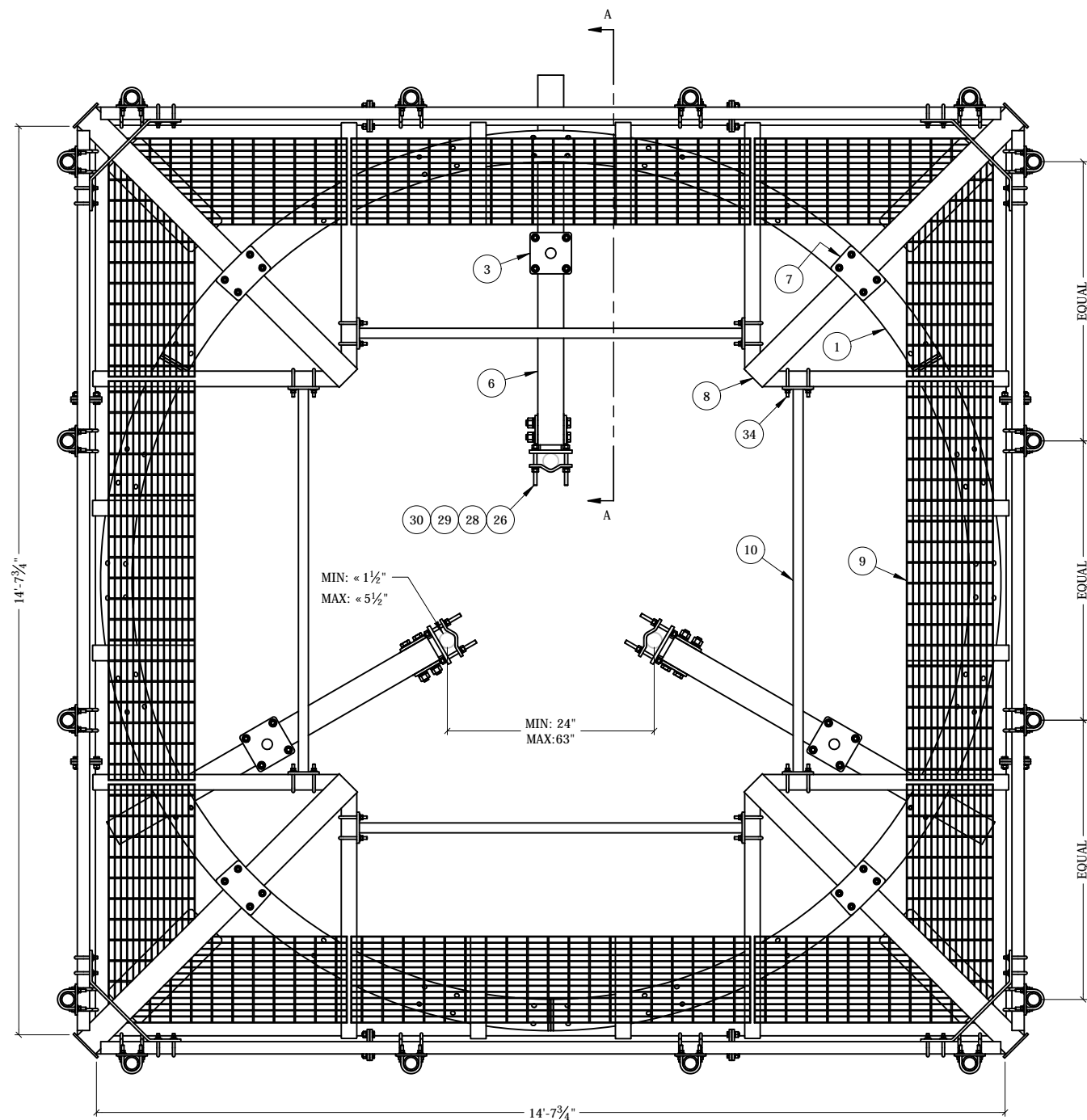
THIS DESIGN AND INFORMATION CONTAINED ON THIS PRINT IS THE PROPERTY OF VALLEY FAB CORPORATION. ANY REPRODUCTION, DUPLICATION OR TRANSFER OF THE PROPRIETARY CONTENT IS PROHIBITED WITHOUT WRITTEN PERMISSION.

STANDARD TOLERANCES:
(UNLESS OTHERWISE NOTED)
FRACTIONS - 1/16"
DECIMALS - 0.01"
ANGLES - 0.5°

NEWAVE
TOWER COMPONENTS, 503-792-3739
10910 PORTLAND RD. BROOKS, OR 97305

TOTAL WT: 5780.75 LB
QTY:
FINISH:
JOB #:

4-SECTOR 14' PLATFORM W/ HANDRAIL KIT FOR 3-SIDED LATTICE TOWER		DRAWN BY: JG	DATE: 7/17/2018	CHKD BY: KY
SERIES: MONOPOLE MOUNTING	SHEET: 2 OF 3	DRAWING NO. LPCP-14Q-LT1		



SECTION A-A

<p>THIS DESIGN AND INFORMATION CONTAINED ON THIS PRINT IS THE PROPERTY OF VALLEY FAB CORPORATION. ANY REPRODUCTION, DUPLICATION OR TRANSFER OF THE PROPRIETARY CONTENT IS PROHIBITED WITHOUT WRITTEN PERMISSION.</p>	
<p>STANDARD TOLERANCES: (UNLESS OTHERWISE NOTED)</p> <p>FRACTIONS - 1/16" DECIMALS - 0.01" ANGLES - 0.5°</p>	<p>NEWAVE TOWER COMPONENTS, 503-792-3739 10910 PORTLAND RD. BROOKS, OR 97305</p>
<p>TOTAL WT: 5780.75 LB</p> <p>QTY:</p> <p>FINISH:</p> <p>JOB #:</p>	<p>TITLE: 4-SECTOR 14' PLATFORM W/ HANDRAIL KIT FOR 3-SIDED LATTICE TOWER</p> <p>SERIES: MONOPOLE MOUNTING</p>

<p>DRAWN BY: JG</p>	<p>DATE: 7/17/2018</p>	<p>CHK'D BY: KY</p>
<p>DRAWING NO. LPCP-14Q-LT1</p>		
<p>SHEET: 3 OF 3</p>		<p></p>