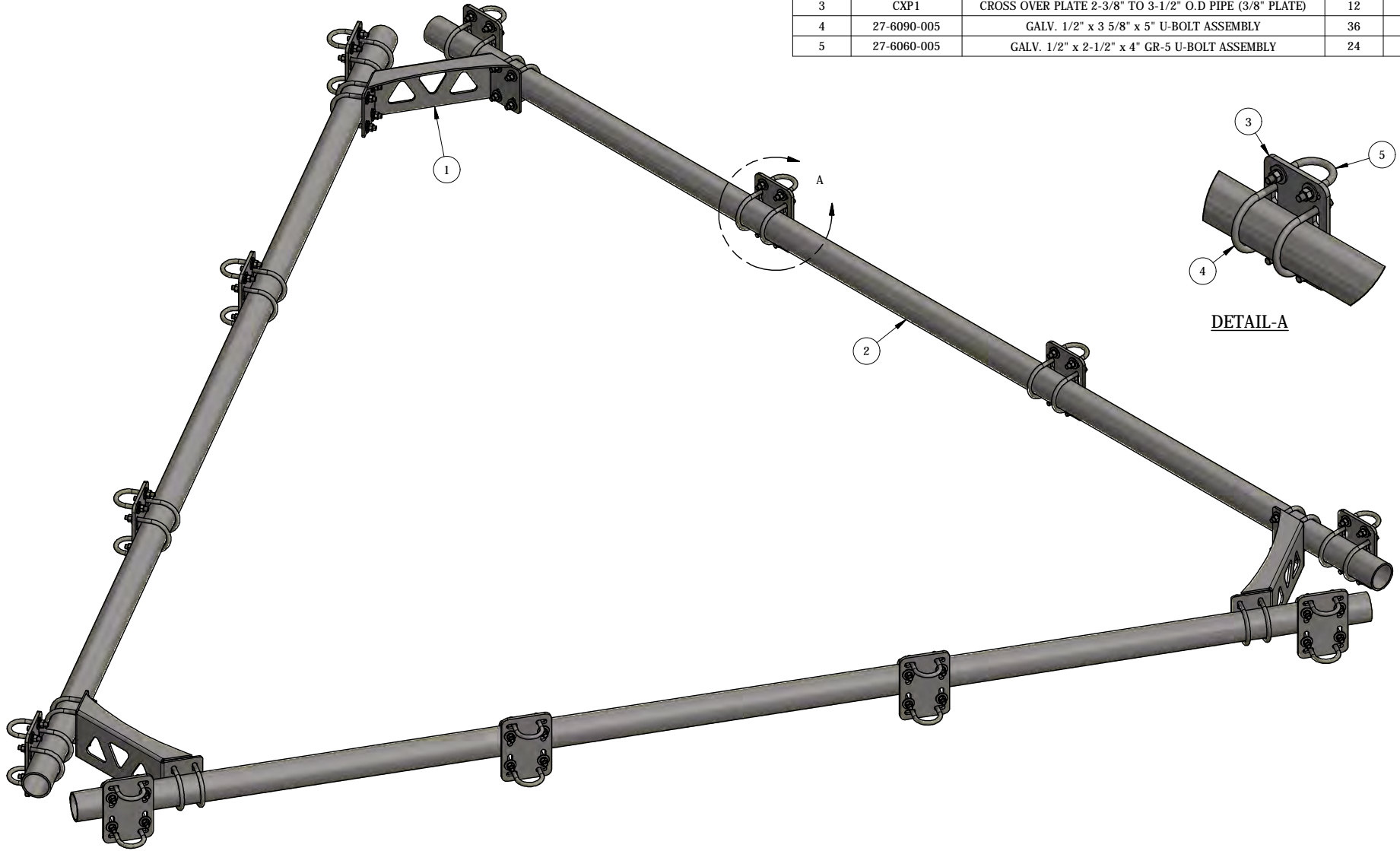


ITEM	PART #	DESCRIPTION	QTY	UNIT WT
1	LPHK.01	1/4" BENT TRI-SECTOR HANDRAIL CORNER PLATE	3	11.14
2	P35-156	GALV. 3" STD PIPE @ 13'-0" LONG	3	98.59
3	CXP1	CROSS OVER PLATE 2-3/8" TO 3-1/2" O.D PIPE (3/8" PLATE)	12	4.81
4	27-6090-005	GALV. 1/2" x 3 5/8" x 5" U-BOLT ASSEMBLY	36	0.91
5	27-6060-005	GALV. 1/2" x 2-1/2" x 4" GR-5 U-BOLT ASSEMBLY	24	0.76




QTY:
CHK:

STANDARD TOLERANCES:
(UNLESS OTHERWISE NOTED)

FRACTIONS	- 1/16"
1 DECIMAL	- .1"
2 DECIMAL	- .03"
3 DECIMAL	- .005"
ANGLES	- .5°

THIS DESIGN AND INFORMATION CONTAINED ON THIS PRINT IS THE PROPERTY OF NEWAVE TOWER COMPONENTS LLC. ANY REPRODUCTION, DUPLICATION OR TRANSFER OF THE PROPRIETARY CONTENT IS PROHIBITED WITHOUT WRITTEN PERMISSION.


NEWAVE
 Tower Components. 503-792-3739
 10910 PORTLAND RD. BROOKS, OR 97305

MATERIAL: AS SHOWN	
GRADE: -	DRAWN BY: KY
FINISH: HDG	CHECKED BY: -

TITLE: 3-SECTOR LOW-PROFILE HANDRAIL KIT FOR UP TO 13'-0" FACE		
SERIES: MONOPOLE MOUNTING		
DATE: 6/29/2018	PART WT (BARE): 438.6 LB	DRAWING NO. LPHK-13-35