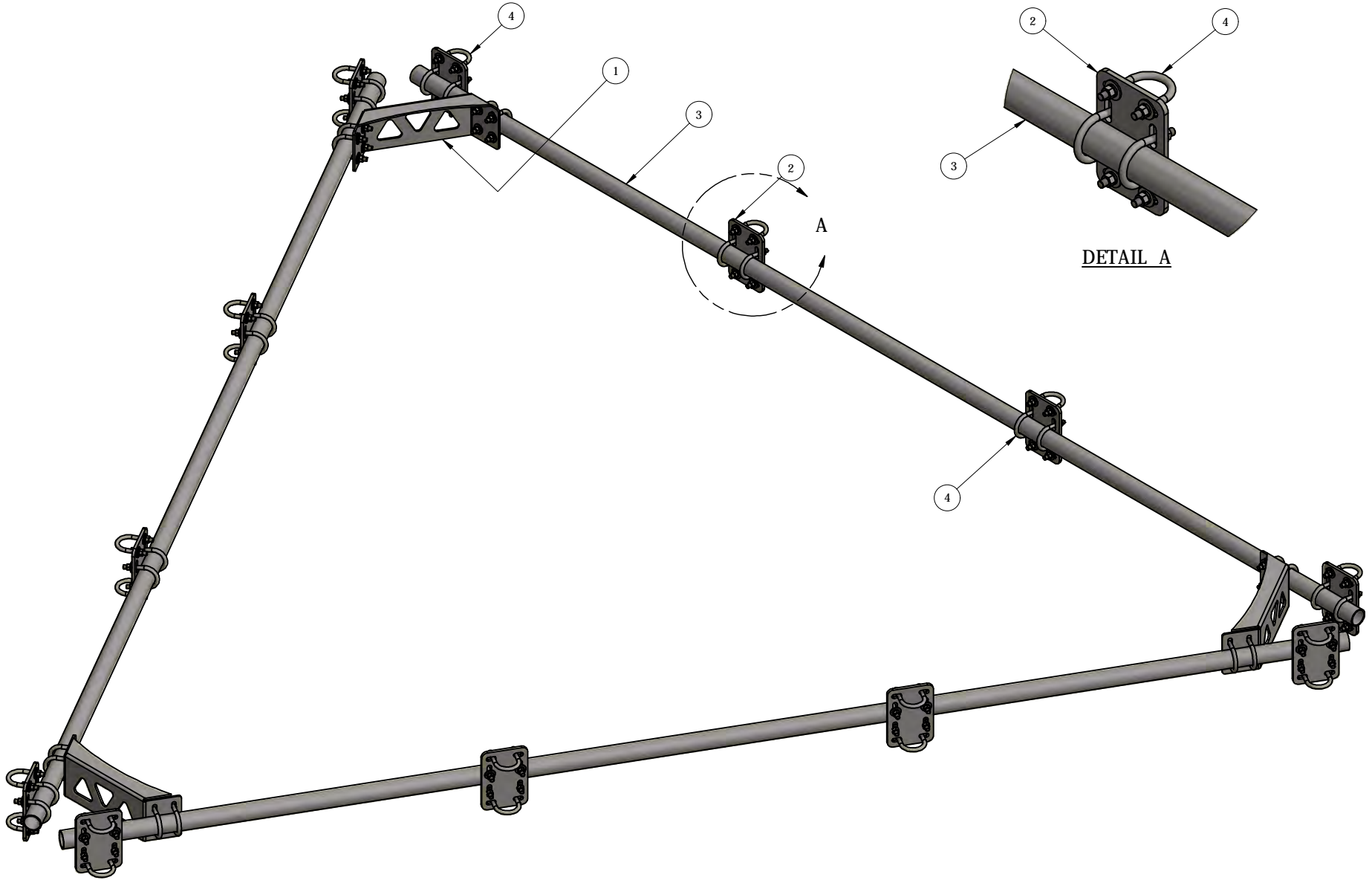



REV	BY	DESCRIPTION	DATE
A	WJ	SEE MODEL PROPERTIES/COMMENTS	10/7/2019



THIS DESIGN AND INFORMATION CONTAINED ON THIS PRINT IS THE PROPERTY OF VALLEY FAB CORPORATION. ANY REPRODUCTION, DUPLICATION OR TRANSFER OF THE PROPRIETARY CONTENT IS PROHIBITED WITHOUT WRITTEN PERMISSION.

STANDARD TOLERANCES:

(UNLESS OTHERWISE NOTED)
 FRACTIONS - 1/16"
 DECIMALS - 0.01"
 ANGLES - 0.5°


NEWAVE
 TOWER COMPONENTS. 503-792-3739
 10910 PORTLAND RD. BROOKS, OR 97305

TOTAL WT: 290.75 LB

QTY:

FINISH:

JOB #:

ITEM	PART #	QTY	DESCRIPTION	LENGTH	FINISH	UNIT WT
1	LPHK.01	3	1/4" PLATE		HDG	11.30
2	CXP1	12	3/8" PLATE		HDG	4.81
3	P23-168	3	2" STD PIPE	14'	HDG	51.20
4	27-6060-005	60	GALV. 1/2" x 2-1/2" x 4" GR-5 U-BOLT ASSEMBLY			0.76

TITLE: 3-SECTOR LOW-PROFILE HANDRAIL KIT FOR UP TO 14'-0" FACE			DRAWN BY: JG	DATE: 7/17/2018	CHK'D BY: KY
SERIES: MONOPOLE MOUNTING			DRAWING NO. LPHK-14		
SHEET: 1 OF 1					