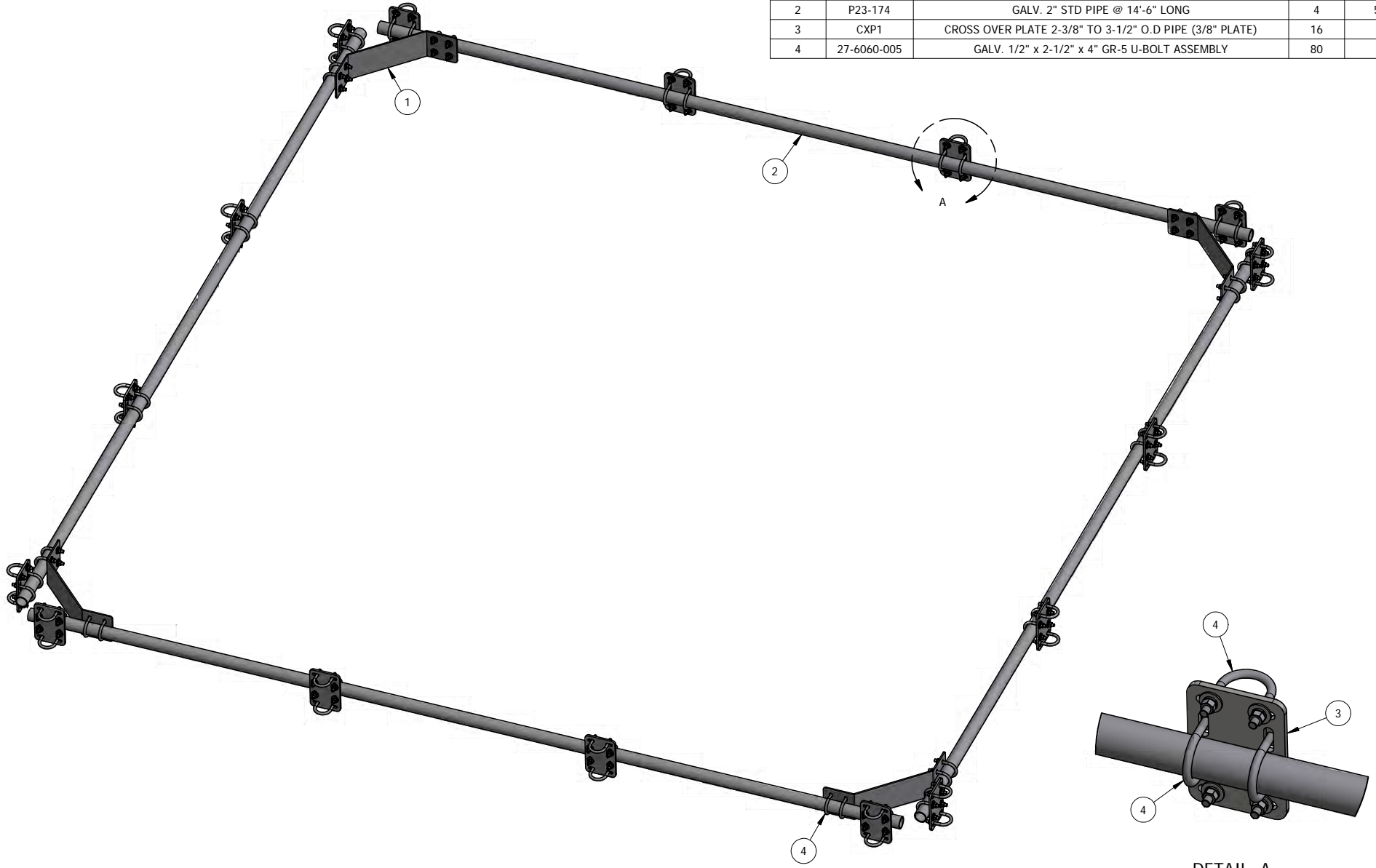


ITEM	PART #	DESCRIPTION	QTY	UNIT WT
1	LPHK.03	1/4" BENT QUAD-SECTOR HANDRAIL CORNER PLATE	4	11.69
2	P23-174	GALV. 2" STD PIPE @ 14'-6" LONG	4	53.02
3	CXP1	CROSS OVER PLATE 2-3/8" TO 3-1/2" O.D PIPE (3/8" PLATE)	16	4.81
4	27-6060-005	GALV. 1/2" x 2-1/2" x 4" GR-5 U-BOLT ASSEMBLY	80	0.68



QTY:
CHK:

STANDARD TOLERANCES:
(UNLESS OTHERWISE NOTED)
FRACTIONS ±1/16"
DECIMALS ±.005"
ANGLES ±.5°

THIS DESIGN AND INFORMATION CONTAINED ON THIS PRINT IS THE PROPERTY OF NEWAVE TOWER COMPONENTS LLC. ANY REPRODUCTION, DUPLICATION OR TRANSFER OF THE PROPRIETARY CONTENT IS PROHIBITED WITHOUT WRITTEN PERMISSION.

NEWAVE
 TOWER COMPONENTS. 503-792-3739
 10910 PORTLAND RD. BROOKS, OR 97305

MATERIAL: AS SHOWN
 HOLES: AS SHOWN
 FINISH: HDG

DRAWN BY: KY
 CHECKED BY: -
 DATE: 12/16/2015

TITLE: 4-SECTOR LOW-PROFILE HANDRAIL KIT FOR UP TO 14'-6" FACE
 SERIES: MONOPOLE MOUNTING

PART WT (BARE): 390.6 LB	DRAWING NO. LPHK-14Q	SHEET: 1 OF 1
--------------------------	----------------------	---------------