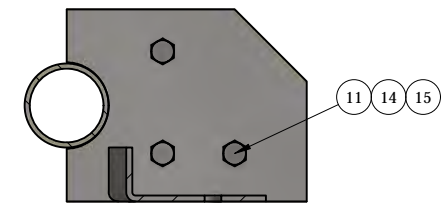
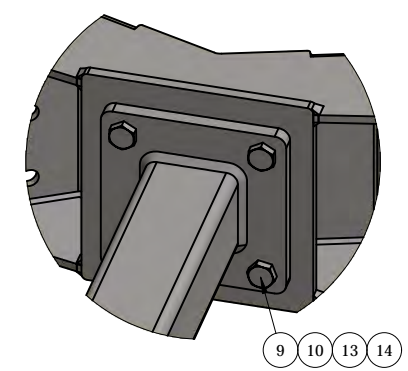


DETAIL A



DETAIL B



DETAIL C

ITEM	PART #	QTY	DESCRIPTION	LENGTH	FINISH	UNIT WT
1	LPRP-12.01	3	ROTATABLE PLATFORM FRAME WELDMENT		HDG	229.30
2	LPRP-12.09	3	ADJUSTABLE SLIDER MOUNT WELDMENT		HDG	18.27
3	LPCP.03	3	PLATFORM 4'-0" SUPPORT STAND OFF WELDMENT		HDG	57.87
4	MF1236-3.01	3	UNIVERSAL 12" TO 36" RING MOUNT WELDMENT		HDG	50.60
5	27-5580-005	9	3/4" x 28" B7 HDG ALL-THREAD	2'-4"		3.51
6	27-5481-005	18	3/4 A36 HDG FLAT WASHER			0.11
7	27-5490-005	18	3/4 HDG LOCK WASHER			0.04
8	27-5500-005	18	3/4 HDG HEAVY HEX NUT			0.21
9	27-5440-005	12	5/8" x 2 1/4" A325 HDG BOLT			0.30
10	27-5390-005	12	5/8 HDG HEAVY HEX NUT			0.13
11	27-4404-005	21	5/8" x 2 1/4" GR.5 HDG BOLT			0.29
12	27-4401-005	3	5/8" x 1 1/2" GR.5 HDG BOLT			0.23
13	27-5370-005	24	5/8 A36 HDG FLAT WASHER			0.08
14	27-5380-005	33	5/8 HDG LOCK WASHER			0.03
15	27-5391-005	21	5/8" HDG HEX NUT			0.08

THIS DESIGN AND INFORMATION CONTAINED ON THIS PRINT IS THE PROPERTY OF VALLEY FAB CORPORATION. ANY REPRODUCTION, DUPLICATION OR TRANSFER OF THE PROPRIETARY CONTENT IS PROHIBITED WITHOUT WRITTEN PERMISSION.

STANDARD TOLERANCES:
 (UNLESS OTHERWISE NOTED)
 FRACTIONS -1/16"
 DECIMALS -0.01"
 ANGLES -0.5°

NEWAVE
 TOWER COMPONENTS, 503-792-3739
 10910 PORTLAND RD. BROOKS, OR 97305

TOTAL WT: 1122.7 LB
 QTY:
 FINISH:
 JOB #:

TITLE: 3-SECTOR ROTATABLE PLATFORM
 12'-6" FACE, FITS 12" TO 36" O.D POLE

SERIES: MONOPOLE MOUNTING SHEET: 1 OF 1

DRAWN BY: JG DATE: 7/17/2018 CHK'D BY: KY
 DRAWING NO. LPRP-12-36