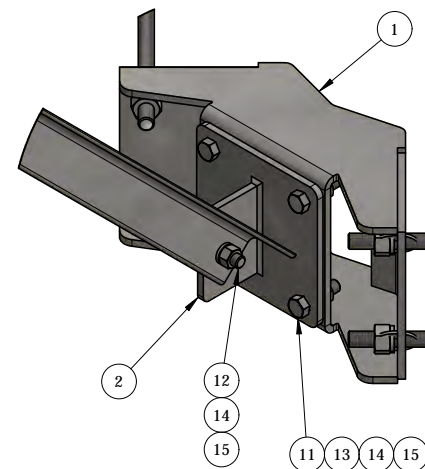


DETAIL - B



DETAIL - A

ITEM	PART #	QTY	DESCRIPTION	LENGTH	FINISH	UNIT WT
1	M1060-4.01	4	4-SECTOR UNIVERSAL RING MOUNT WELDMENT		HDG	35.73
2	LPS.01	4	LOWER MOUNTING BRACKET		HDG	8.63
3	LPS30-20.01	4	LOW PROFILE TOP BRACKET WELDMENT		HDG	6.68
4	LPCP.01	8	1/2" PLATE			1.81
5	LPS.04	8	L3x3x1/4"	5'	HDG	24.67
6	27-5588-005	8	3/4" x 42" B7 HDG ALL-THREAD			5.26
7	27-5481-005	16	3/4 A36 HDG FLAT WASHER			0.11
8	27-5490-005	16	3/4 HDG LOCK WASHER			0.04
9	27-5500-005	16	3/4 HDG HEAVY HEX NUT			0.21
10	TR58-12	16	GALV. 5/8" x 12" ALL-THREAD			1.04
11	27-4404-005	16	5/8" x 2 1/4" GR.5 HDG BOLT			0.29
12	27-4403-005	8	5/8" x 2" GR.5 HDG BOLT			0.27
13	27-5370-005	32	5/8 A36 HDG FLAT WASHER			0.08
14	27-5380-005	56	5/8 HDG LOCK WASHER			0.03
15	27-5391-005	56	5/8" HDG HEX NUT			0.08

THIS DESIGN AND INFORMATION CONTAINED ON THIS PRINT IS THE PROPERTY OF VALLEY FAB CORPORATION. ANY REPRODUCTION, DUPLICATION OR TRANSFER OF THE PROPRIETARY CONTENT IS PROHIBITED WITHOUT WRITTEN PERMISSION.

STANDARD TOLERANCES:
 (UNLESS OTHERWISE NOTED)
 FRACTIONS - 1/16"
 DECIMALS - 0.01"
 ANGLES - 0.5°

NEWAVE
 TOWER COMPONENTS, 503-792-3739
 10910 PORTLAND RD. BROOKS, OR 97305

TOTAL WT: 496.1 LB
 QTY:
 FINISH:
 JOB #:

TITLE: 4-SECTOR LOW PROFILE STIFFENER
 FITS 10" TO 60" O.D POLE

SERIES: MONOPOLE MOUNTING SHEET: 1 OF 1

DRAWN BY: KY DATE: 7/17/2018 CHK'D BY: -
 DRAWING NO. LPS40-20