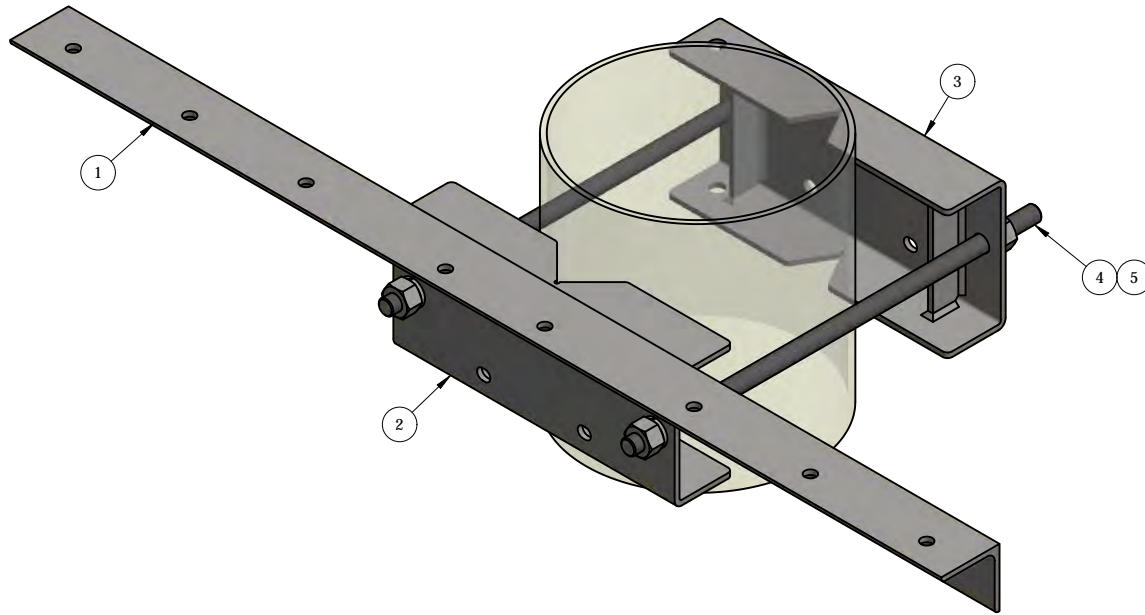


**FRONT VIEW**




ITEM	PART #	QTY	DESCRIPTION	LENGTH	FINISH	UNIT WT
1	M-SA.01	1	L3x3x1/4"	4'	HDG	19.50
2	AM1028-8U.01	1	INNER ADJUSTABLE CHANNEL CLAMP WELDMENT		HDG	12.14
3	AM1028-8U.04	1	OUTER ADJUSTABLE CHANNEL CLAMP WELDMENT		HDG	13.17
4	27-5579-005	2	3/4" x 21" B7 HDG ALL-THREAD	1'-9"		2.63
5	27-5490-005	4	3/4 HDG LOCK WASHER			0.04
6	27-5500-005	4	3/4 HDG HEAVY HEX NUT			0.21
7	27-4301-005	2	1/2" x 1 1/2" GR.5 HDG BOLT			0.13
8	27-5200-005	2	1/2 A36 HDG FLAT WASHER			0.04
9	27-5210-005	2	1/2 HDG LOCK WASHER			0.01
10	27-5222-005	2	1/2 HDG HEX NUT			0.04

THIS DESIGN AND INFORMATION CONTAINED ON THIS PRINT IS THE PROPERTY OF VALLEY FAB CORPORATION. ANY REPRODUCTION, DUPLICATION OR TRANSFER OF THE PROPRIETARY CONTENT IS PROHIBITED WITHOUT WRITTEN PERMISSION.

**STANDARD TOLERANCES:**

(UNLESS OTHERWISE NOTED)  
 FRACTIONS - 1/16"  
 DECIMALS - 0.01"  
 ANGLES - 0.5°



**NEWAVE**  
 TOWER COMPONENTS. 503-792-3739  
 10910 PORTLAND RD. BROOKS, OR 97305

TOTAL WT: 51.55 LB

QTY:

FINISH:

JOB #:

TITLE:

**MICROWAVE STIFFARM ATTACHMENT, 4' ANGLE  
 CLAMP MOUNT UP TO 11-1/2" OD ROUND**

SERIES: MICROWAVE ICE SHIELD

SHEET: 1 OF 1

DRAWN BY:

JG

DATE:

7/17/2018

CHK'D BY:

KY

DRAWING NO.

M-SA-4