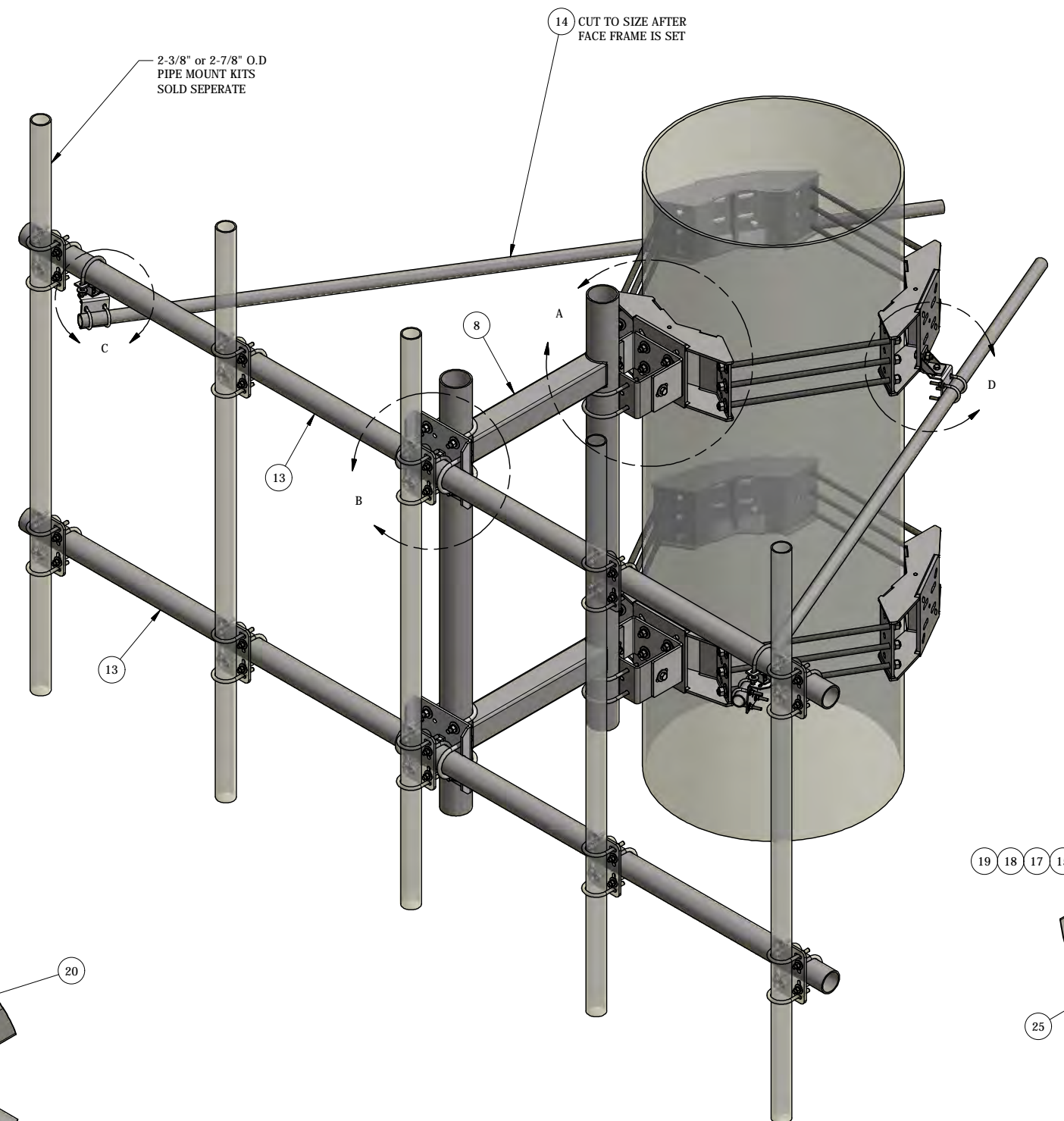
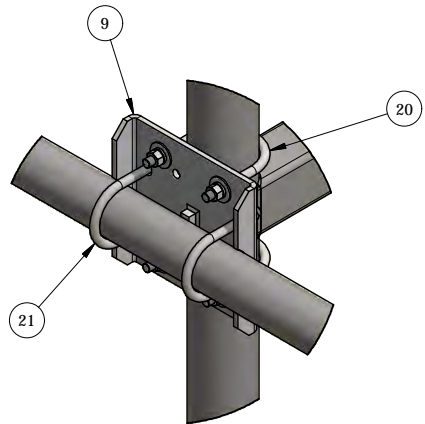


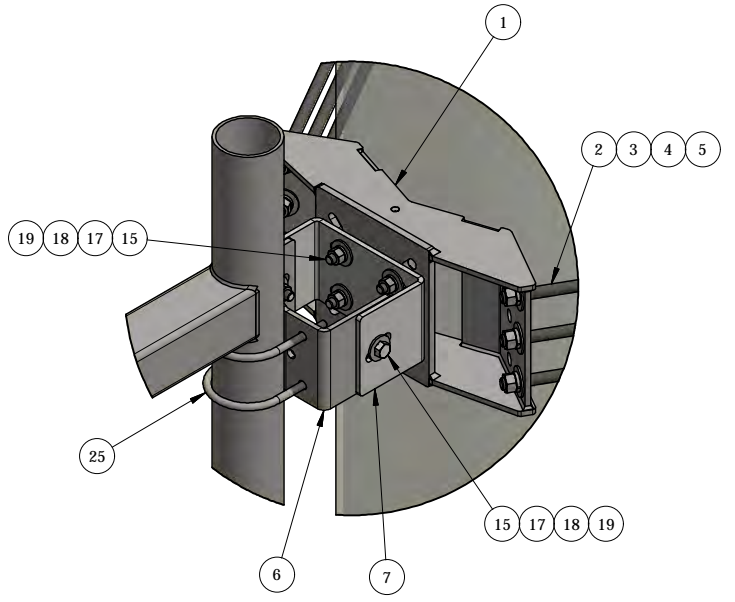
DETAIL - C



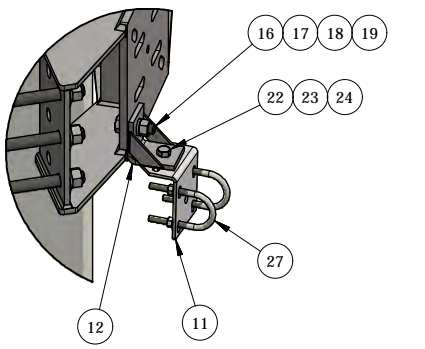
ITEM	PART #	DESCRIPTION	QTY	UNIT WT
1	MF1236-3.01	UNIVERSAL 12" TO 36" RING MOUNT WELDMENT	6	49.92
2	27-5580-005	3/4" x 26" B7 HDG ALL-THREAD	18	3.26
3	27-5481-005	3/4" A36 HDG FLAT WASHER	36	0.09
4	27-5490-005	3/4" HDG LOCK WASHER	36	0.05
5	27-5501-005	3/4" HDG HEX NUT	36	0.14
6	AM1028-U.01	INSIDE ADJUSTABLE BENT TAPER U-BRACKET	2	12.17
7	AM1028-U.03	OUTSIDE ADJ. BENT TAPER U-BRACKET (FITS HD RING MOUNTS)	2	12.52
8	ATV1-33	33" STAND OFF WELDMENT	1	169.55
9	AM1015-XP.01	CELLULAR FACE MOUNT FOR 3-1/2" TO 4-1/2" CROSS OVER	2	15.61
10	AM1030-23M.02	STIFF ARM HALF CLAMP BRACKET WELDMENT	2	0.92
11	AM1031.03	3/16" STIFF ARM ANGLE MOUNT	4	1.32
12	MCMX.04	CHAIN MOUNT CLEVIS BOLT ATTACHEMENT WELDMENT	2	1.40
13	P35-156	GALV. 3" STD PIPE @ 13'-0" LONG	2	98.59
14	P178-126	GALV. 1-1/2" STD PIPE @ 10'-6" LONG	2	28.57
15	27-4404-005	5/8" x 2 1/4" GR.5 HDG BOLT	12	0.29
16	27-4403-005	5/8" x 2" GR.5 HDG BOLT	2	0.27
17	27-5370-005	5/8" A36 HDG FLAT WASHER	26	0.08
18	27-5380-005	5/8" HDG LOCK WASHER	14	0.03
19	27-5391-005	5/8" HDG HEX NUT	14	0.08
20	27-6230-005	GALV. 5/8" x 4-5/8" x 6-1/2" U-BOLT ASSEMBLY	4	1.80
21	27-6200-005	GALV. 5/8" x 3-5/8" x 6" U-BOLT ASSEMBLY	4	1.66
22	27-4300-005	1/2" x 1 1/4" GR.5 HDG BOLT	4	0.12
23	27-5210-005	1/2" HDG LOCK WASHER	4	0.01
24	27-5222-005	1/2" HDG HEX NUT	4	0.04
25	27-6140-005	GALV. 1/2" x 4 5/8" x 6 1/2" U-BOLT ASSEMBLY	4	1.11
26	27-6090-005	GALV. 1/2" x 3 5/8" x 5" U-BOLT ASSEMBLY	2	0.91
27	27-6040-005	GALV. 3/8" x 2" x 4" U-BOLT ASSEMBLY	8	0.39



DETAIL - B



DETAIL - A



DETAIL - D

QTY:
CHK:

STANDARD TOLERANCES:
(UNLESS OTHERWISE NOTED)

FRACTIONS	-1/16"
1 DECIMAL	-.1"
2 DECIMAL	-.03"
3 DECIMAL	-.005"
ANGLES	-.55

THIS DESIGN AND INFORMATION CONTAINED ON THIS PRINT IS THE PROPERTY OF NEWAVE TOWER COMPONENTS LLC. ANY REPRODUCTION, DUPLICATION OR TRANSFER OF THE PROPRIETARY CONTENT IS PROHIBITED WITHOUT WRITTEN PERMISSION.

NEWAVE
Tower Components. 503-792-3739
10910 PORTLAND RD. BROOKS, OR 97305

MATERIAL:	AS SHOWN
GRADE:	DRAWN BY: KY
FINISH:	CHECKED BY: -
	HDG

TITLE:	1-SECTOR, 13' FACE FRAME, ADJ. TAPER, DBL RING MOUNT, FITS 12" TO 36" O.D POLE		
SERIES:	MONOPOLE MOUNTING		
DATE:	2/7/2018	PART WT (BARE):	914.05 LB
		DRAWING NO.	M30-ATV1-312-1

ANT.15957