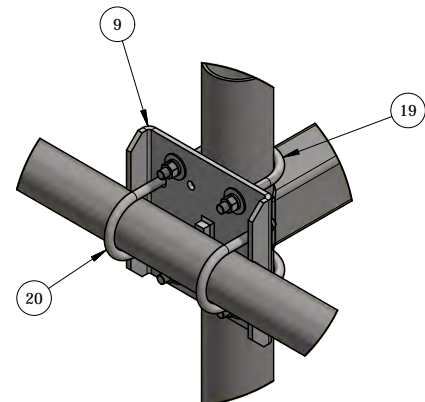


DETAIL - C

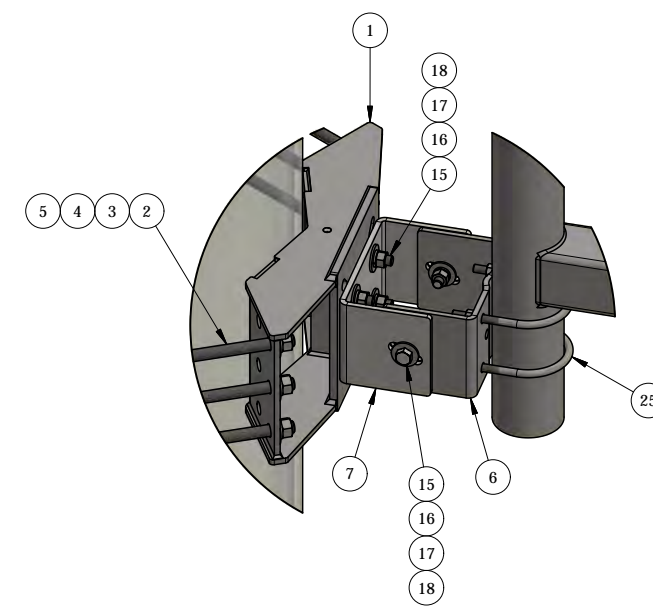
ITEM	PART #	DESCRIPTION	QTY	UNIT WT
1	MF1236-3.01	UNIVERSAL 12" TO 36" RING MOUNT WELDMENT	6	49.92
2	27-5580-005	3/4" x 26" B7 HDG ALL-THREAD	18	3.26
3	27-5481-005	3/4" A36 HDG FLAT WASHER	36	0.09
4	27-5490-005	3/4" HDG LOCK WASHER	36	0.05
5	27-5501-005	3/4" HDG HEX NUT	36	0.14
6	AM1028-U.01	INSIDE ADJUSTABLE BENT TAPER U-BRACKET	6	12.17
7	AM1028-U.03	OUTSIDE ADJ. BENT TAPER U-BRACKET (FITS HD RING MOUNTS)	6	12.52
8	ATV1-33	33" STAND OFF WELDMENT	3	169.55
9	AM1015-XP.01	CELLULAR FACE MOUNT FOR 3-1/2" TO 4-1/2" CROSS OVER	6	15.61
10	P35-156	GALV. 3" STD PIPE @ 13'-0" LONG	6	98.59
11	P178-126	GALV. 1-1/2" STD PIPE @ 10'-6" LONG	6	28.57
12	AM1030-23M.02	STIFF ARM HALF CLAMP BRACKET WELDMENT	6	0.92
13	AM1031.03	3/16" STIFF ARM ANGLE MOUNT	12	1.32
14	AM1031HD.03	3/16" BENT CLAMP PLATE	12	1.87
15	27-4404-005	5/8" x 2 1/4" GR.5 HDG BOLT	36	0.29
16	27-5370-005	5/8" A36 HDG FLAT WASHER	72	0.08
17	27-5380-005	5/8" HDG LOCK WASHER	36	0.03
18	27-5391-005	5/8" HDG HEX NUT	36	0.08
19	27-6230-005	GALV. 5/8" x 4-5/8" x 6-1/2" U-BOLT ASSEMBLY	12	1.80
20	27-6200-005	GALV. 5/8" x 3-5/8" x 6" U-BOLT ASSEMBLY	12	1.66
21	TR12-10	GALV. 1/2" x 10" ALL-THREAD	12	0.56
22	27-4300-005	1/2" x 1 1/4" GR.5 HDG BOLT	12	0.12
23	27-5210-005	1/2" HDG LOCK WASHER	36	0.01
24	27-5222-005	1/2" HDG HEX NUT	36	0.04
25	27-6140-005	GALV. 1/2" x 4 5/8" x 6 1/2" U-BOLT ASSEMBLY	12	1.11
26	27-6090-005	GALV. 1/2" x 3 5/8" x 5" U-BOLT ASSEMBLY	6	0.91
27	27-6040-005	GALV. 3/8" x 2" x 4" U-BOLT ASSEMBLY	24	0.39

11 CUT TO SIZE AFTER FACE FRAME IS SET

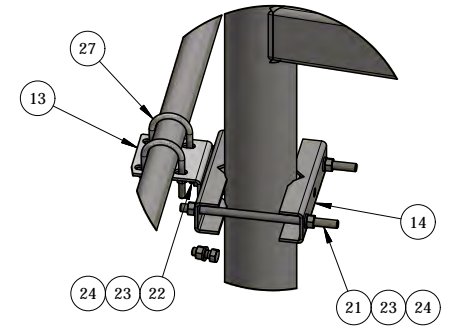
2-3/8" OR 2-7/8" O.D PIPE MOUNT KITS SOLD SEPERATE



DETAIL - B



DETAIL - A



DETAIL - D

QTY:
CHK:

STANDARD TOLERANCES:
(UNLESS OTHERWISE NOTED)

FRACTIONS	- 1/16"
1 DECIMAL	- .1"
2 DECIMAL	- .03"
3 DECIMAL	- .005"
ANGLES	- .5°

THIS DESIGN AND INFORMATION CONTAINED ON THIS PRINT IS THE PROPERTY OF NEWAVE TOWER COMPONENTS LLC. ANY REPRODUCTION, DUPLICATION OR TRANSFER OF THE PROPRIETARY CONTENT IS PROHIBITED WITHOUT WRITTEN PERMISSION.

NEWAVE
Tower Components. 503-792-3739
10910 PORTLAND RD. BROOKS, OR 97305

MATERIAL: AS SHOWN		TITLE: 3-SECTOR, 13' FACE FRAME, ADJ. TAPER, DBL RING MOUNT, FITS 12" TO 36" O.D POLE	
GRADE: AS SHOWN	DRAWN BY: KY	SERIES: MONOPOLE MOUNTING	
FINISH: HDG	CHECKED BY: -	DATE: 1/23/2018	PART WT (BARE): 2025.15 LB
		DRAWING NO. M30-ATV1-312-3	

ANT.15952