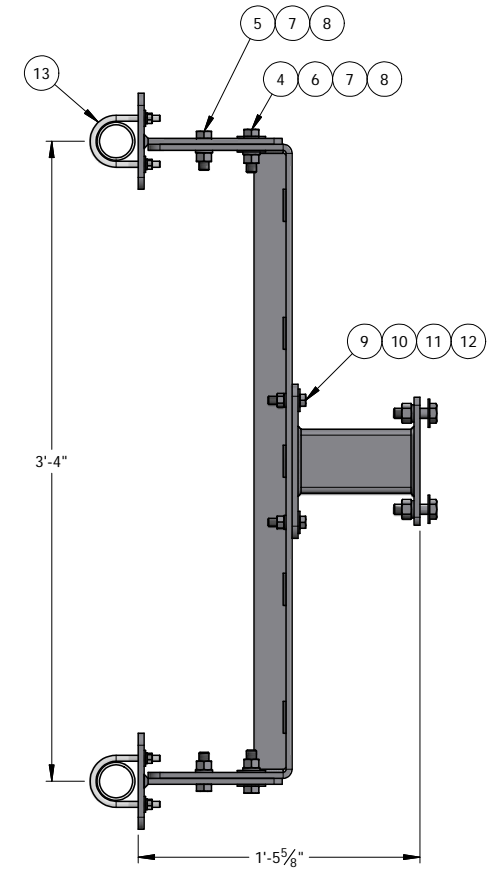
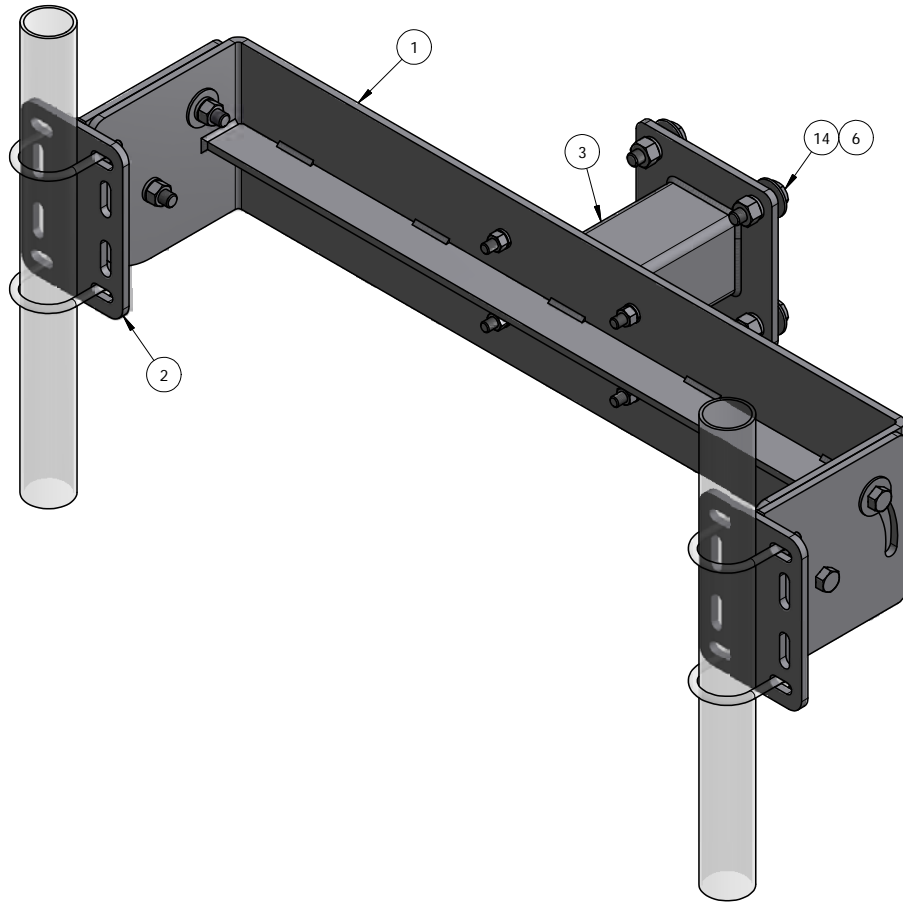


ITEM	PART #	DESCRIPTION	QTY	UNIT WT
1	M3017.01	DOUBLE ANTENNA PIPE MOUNT WELDMENT	1	58.73
2	M3017.04	ADJUSTABLE PIPE MOUNT WELDMENT	2	12.44
3	M3016-8.01	SINGLE ANTENNA 8" STAND OFF WELDMENT	1	18.32
4	27-4404-005	GALV. 5/8" x 2-1/4" GR.5 BOLT	2	0.29
5	27-4403-005	GALV. 5/8" x 2" GR.5 BOLT	2	0.27
6	27-5370-005	GALV. 5/8" FLAT WASHER	8	0.07
7	27-5380-005	GALV. 5/8" LOCK WASHER	4	0.03
8	27-5391-005	GALV. 5/8" HEX NUT	4	0.08
9	27-4303-005	GALV. 1/2" x 2" GR.5 BOLT	4	0.16
10	27-5200-005	GALV. 1/2" FLAT WASHER	4	0.04
11	27-5210-005	GALV. 1/2" LOCK WASHER	4	0.01
12	27-5222-005	GALV. 1/2" HEX NUT	4	0.04
13	27-6050-005	GALV. 3/8" x 2-1/2" x 4" U-BOLT ASSEMBLY	4	0.40
14	27-5440-005	GALV. 5/8" x 2-1/4" A325 BOLT ASSEMBLY	4	0.31



QTY:  
CHK:

**STANDARD TOLERANCES:**  
(UNLESS OTHERWISE NOTED)  
FRACTIONS ± 1/16"  
DECIMALS ± .005"  
ANGLES ± .5°

THIS DESIGN AND INFORMATION CONTAINED ON THIS PRINT IS THE PROPERTY OF NEWAVE TOWER COMPONENTS LLC. ANY REPRODUCTION, DUPLICATION OR TRANSFER OF THE PROPRIETARY CONTENT IS PROHIBITED WITHOUT WRITTEN PERMISSION.

**NEWAVE**  
Tower Components 503-792-3739  
10910 PORTLAND RD. BROOKS, OR 97305

MATERIAL: AS SHOWN	DRAWN BY: JG	TITLE: DOUBLE ANTENNA 40" PIPE-TO-PIPE SPREAD W/ 8" STAND OFF FOR RING MOUNT		
HOLES: AS SHOWN	CHECKED BY: KY	SERIES: MONOPOLE MOUNTING		
FINISH: HDG	DATE: 1/16/2014	PART WT (BARE): 108.5 LB	DRAWING NO. M3017-8	SHEET: 1 OF 1