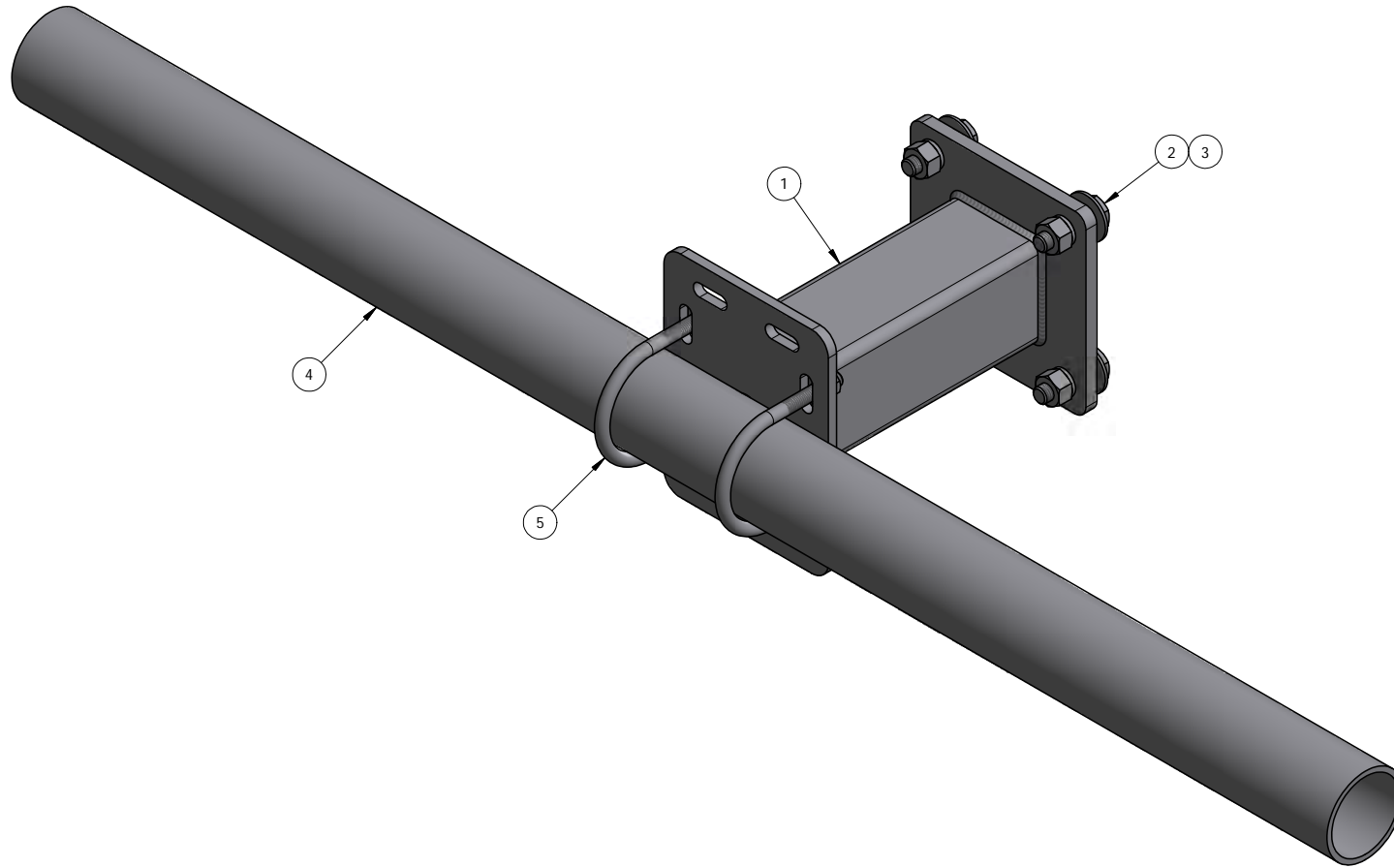



ITEM	PART #	DESCRIPTION	QTY	UNIT WT
1	M3016-12.01	SINGLE ANTENNA 12" STAND OFF WELDMENT	1	23.13
2	27-5440-005	GALV. 5/8" x 2-1/4" A325 BOLT ASSEMBLY	4	0.31
3	27-5370-005	GALV. 5/8" FLAT WASHER	4	0.07
4	P35-60	GALV. 3" STD PIPE @ 5'-0" LONG	1	37.92
5	27-6090-005	GALV. 1/2" x 3 5/8" x 5" U-BOLT ASSEMBLY	2	0.91



QTY:
CHK:

STANDARD TOLERANCES:
(UNLESS OTHERWISE NOTED)
FRACTIONS ±1/16"
DECIMALS ±.005"
ANGLES ±.5°

THIS DESIGN AND INFORMATION CONTAINED ON THIS PRINT IS THE PROPERTY OF NEWAVE TOWER COMPONENTS LLC. ANY REPRODUCTION, DUPLICATION OR TRANSFER OF THE PROPRIETARY CONTENT IS PROHIBITED WITHOUT WRITTEN PERMISSION.


NEWAVE
 TOWER COMPONENTS. 503-792-3739
 10910 PORTLAND RD. BROOKS, OR 97305

MATERIAL: AS SHOWN	DRAWN BY: JG
HOLES: AS SHOWN	CHECKED BY: KY
FINISH: HDG	DATE: 1/16/2014

TITLE: DOUBLE ANTENNA SUPPORT ARM 60" FACE W/ 12" STAND OFF		
SERIES: MONOPOLE MOUNTING		
PART WT (BARE): 65 LB	DRAWING NO. M3019-12	SHEET: 1 OF 1