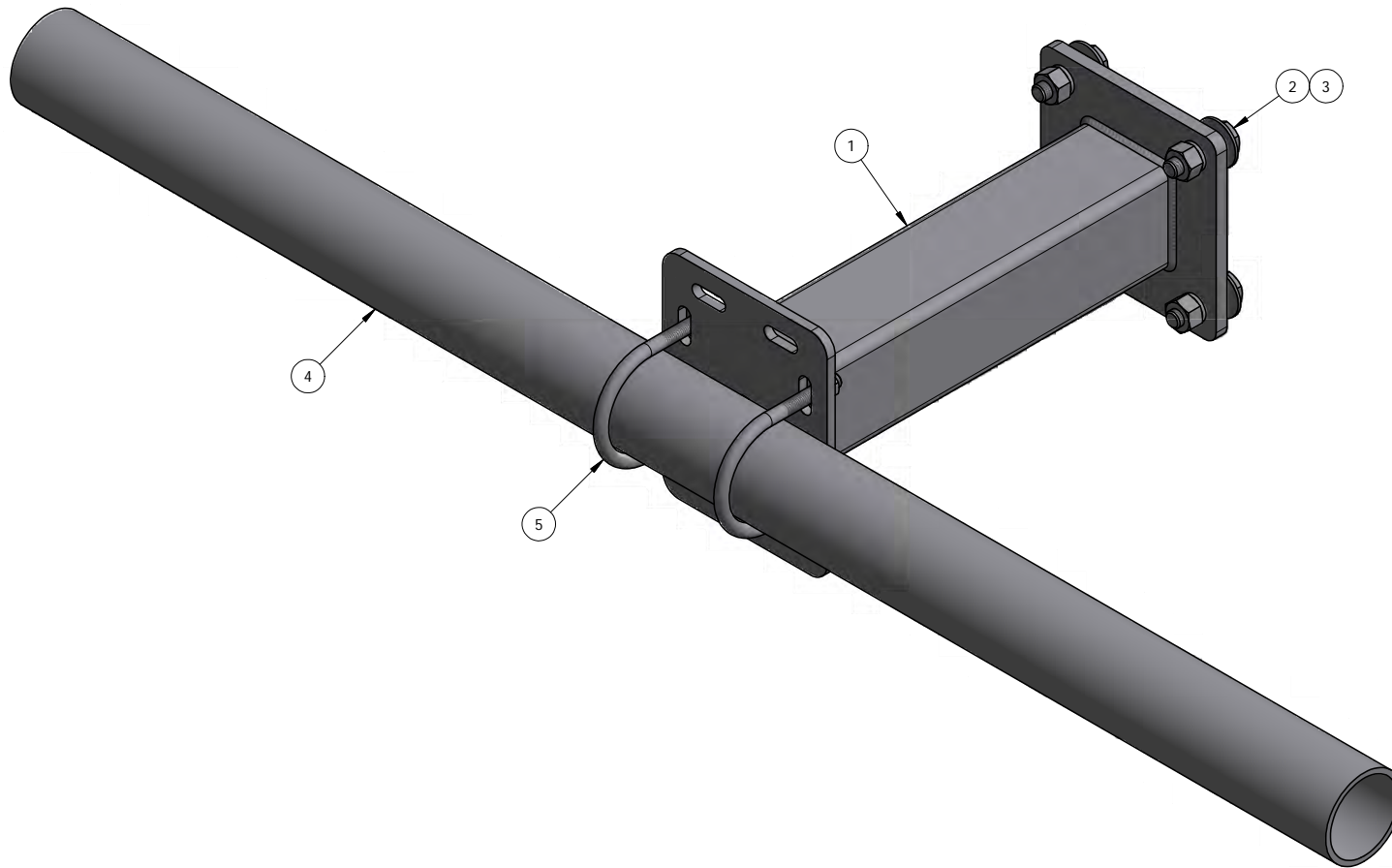


ITEM	PART #	DESCRIPTION	QTY	UNIT WT
1	M3016-18.01	SINGLE ANTENNA 18" STAND OFF WELDMENT	1	27.95
2	27-5440-005	GALV. 5/8" x 2-1/4" A325 BOLT ASSEMBLY	4	0.31
3	27-5370-005	GALV. 5/8" FLAT WASHER	4	0.07
4	P35-60	GALV. 3" STD PIPE @ 5'-0" LONG	1	37.92
5	27-6090-005	GALV. 1/2" x 3 5/8" x 5" U-BOLT ASSEMBLY	2	0.91



QTY:  
CHK:

**STANDARD TOLERANCES:**  
(UNLESS OTHERWISE NOTED)  
FRACTIONS ± 1/16"  
DECIMALS ± .005"  
ANGLES ± .5°

THIS DESIGN AND INFORMATION CONTAINED ON THIS PRINT IS THE PROPERTY OF NEWAVE TOWER COMPONENTS LLC. ANY REPRODUCTION, DUPLICATION OR TRANSFER OF THE PROPRIETARY CONTENT IS PROHIBITED WITHOUT WRITTEN PERMISSION.

**NEWAVE**  
Tower Components. 503-792-3739  
10910 PORTLAND RD. BROOKS, OR 97305

MATERIAL: AS SHOWN  
HOLES: AS SHOWN  
FINISH: HDG  
DRAWN BY: JG  
CHECKED BY: KY  
DATE: 1/16/2014

TITLE: DOUBLE ANTENNA SUPPORT ARM  
60" FACE W/ 18" STAND OFF  
SERIES: MONOPOLE MOUNTING  
PART WT (BARE): 69.8 LB  
DRAWING NO. M3019-18  
SHEET: 1 OF 1