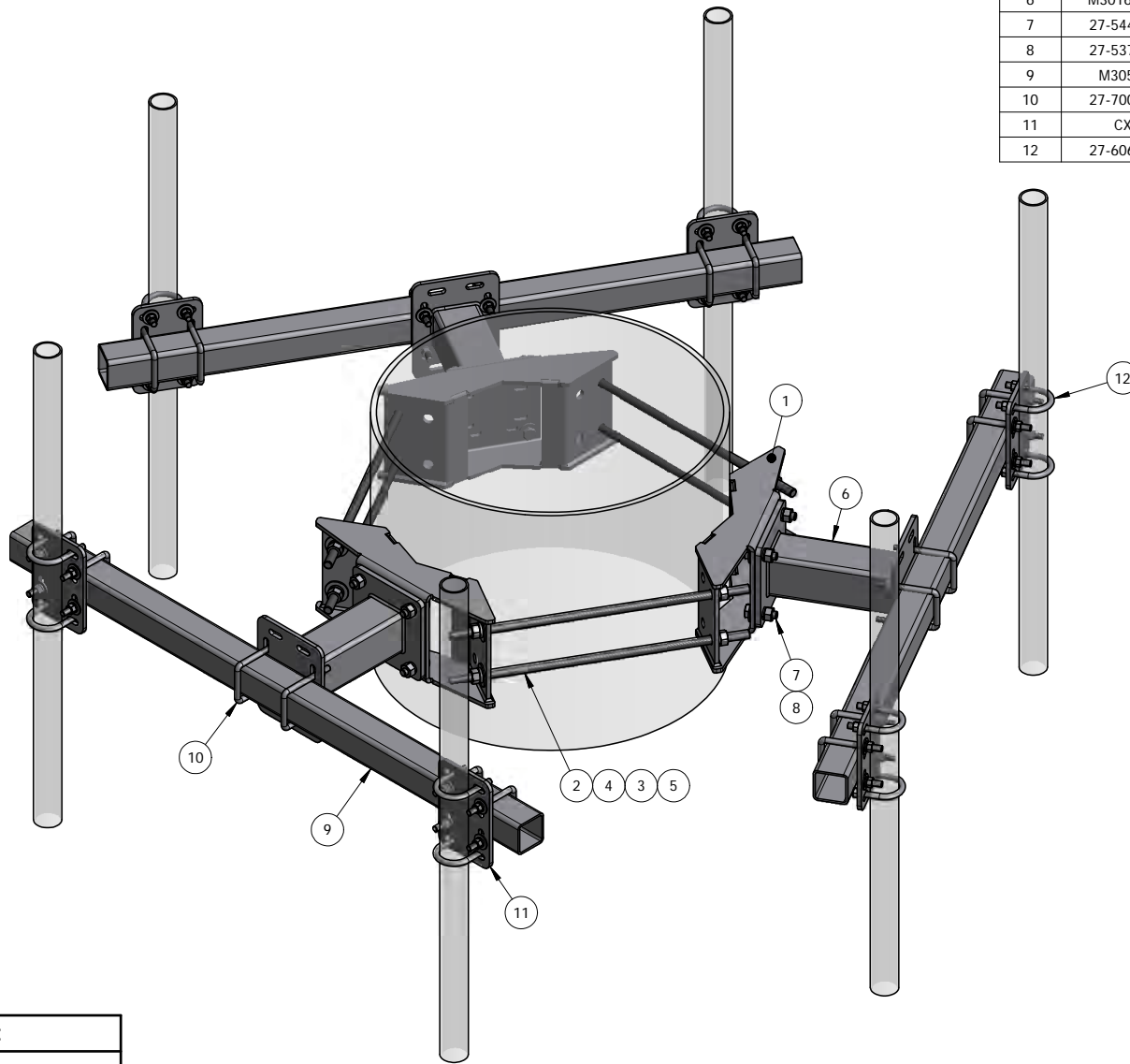


ITEM	PART #	DESCRIPTION	QTY	UNIT WT
1	M1030-3.01	UNIVERSAL 10" TO 30" O.D RING MOUNT WELDMENT	3	32.10
2	27-5580-005	GALV. 3/4" B7 ALL THREAD @ 26" LONG	6	3.25
3	27-5481-005	GALV. 3/4" FLAT WASHER	12	0.09
4	27-5490-005	GALV. 3/4" LOCK WASHER	12	0.05
5	27-5501-005	GALV. 3/4" HEX NUT REGULAR	12	0.14
6	M3016-12.01	SINGLE ANTENNA 12" STAND OFF WELDMENT	3	23.13
7	27-5440-005	GALV. 5/8" x 2-1/4" A325 BOLT ASSEMBLY	12	0.31
8	27-5370-005	GALV. 5/8" FLAT WASHER	12	0.07
9	M3050.01	HSS 3x3x3/16" @ 5'-0" LONG	3	34.40
10	27-7000-005	GALV. 1/2" x 3-1/8" x 5" SQ. U-BOLT ASSEMBLY	18	0.97
11	CXP1	CROSS OVER PLATE 2-3/8" TO 3-1/2" O.D PIPE (3/8" PLATE)	6	4.82
12	27-6060-005	GALV. 1/2" x 2-1/2" x 4" U-BOLT ASSEMBLY	12	0.77



QTY:
CHK:

STANDARD TOLERANCES:
(UNLESS OTHERWISE NOTED)
FRACTIONS ±1/16"
DECIMALS ±.005"
ANGLES ±.5°

THIS DESIGN AND INFORMATION CONTAINED ON THIS PRINT IS THE PROPERTY OF NEWAVE TOWER COMPONENTS LLC. ANY REPRODUCTION, DUPLICATION OR TRANSFER OF THE PROPRIETARY CONTENT IS PROHIBITED WITHOUT WRITTEN PERMISSION.

NEWAVE
 TOWER COMPONENTS 503-792-3739
 10910 PORTLAND RD. BROOKS, OR 97305

MATERIAL: AS SHOWN
HOLES: AS SHOWN
FINISH: HDG

DRAWN BY: JG
CHECKED BY: KY
DATE: 3/25/2014

TITLE: 3-SECTOR, 60" TUBE FACE T-FRAME W/ 12" STAND OFF FOR 10" TO 30" POLE

SERIES: MONOPOLE MOUNTING

PART WT (BARE): 353.7 LB	DRAWING NO. M3050-12	SHEET: 1 OF 1
--------------------------	----------------------	---------------