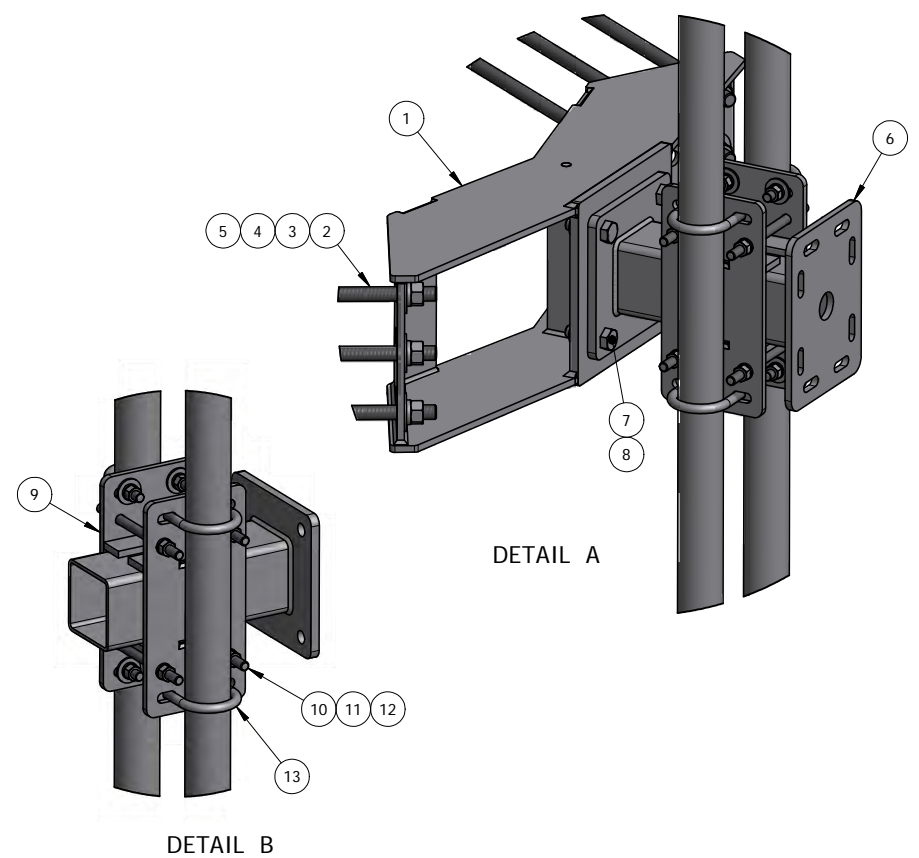
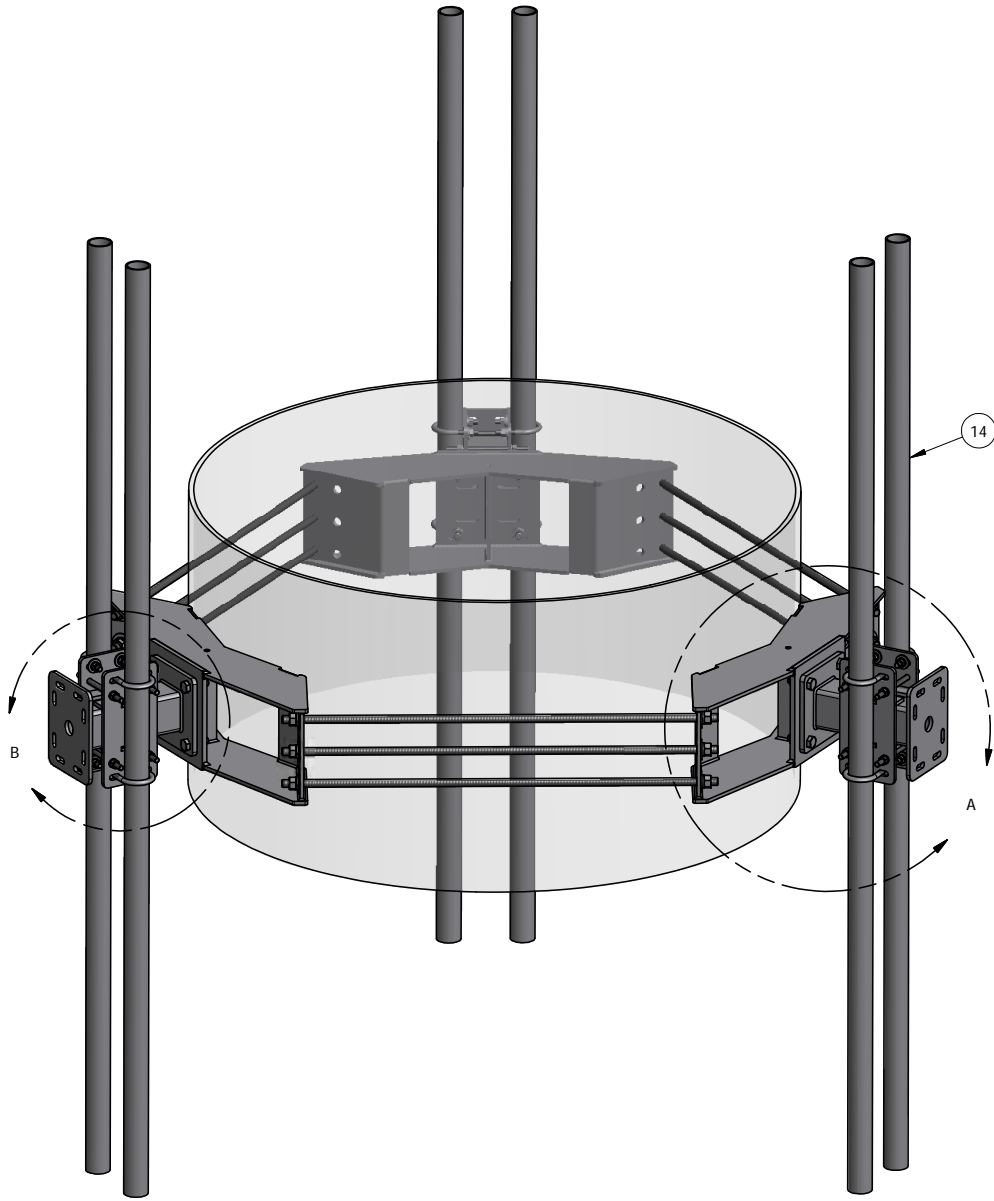


ITEM	PART #	DESCRIPTION	QTY	UNIT WT
1	MF3060-3.01	UNIVERSAL 30" TO 60" RING MOUNT WELDMENT	3	80.01
2	27-5588-005	GALV. 3/4" B7 ALL THREAD @ 42" LONG	9	5.25
3	27-5481-005	GALV. 3/4" FLAT WASHER	18	0.09
4	27-5490-005	GALV. 3/4" LOCK WASHER	18	0.05
5	27-5501-005	GALV. 3/4" HEX NUT REGULAR	18	0.14
6	M3016-12.01	SINGLE ANTENNA 12" STAND OFF WELDMENT	3	23.13
7	27-5440-005	GALV. 5/8" x 2-1/4" A325 BOLT ASSEMBLY	12	0.31
8	27-5370-005	GALV. 5/8" FLAT WASHER	12	0.07
9	MRRU-4.01	RRU CLAMP WELDMENT FOR 4" SQ. STAND OFF	6	9.14
10	TR12-8	GALV. 1/2" x 8" ALL-THREAD	12	0.45
11	27-5210-005	GALV. 1/2" LOCK WASHER	24	0.01
12	27-5222-005	GALV. 1/2" HEX NUT	24	0.04
13	27-6060-005	GALV. 1/2" x 2-1/2" x 4" U-BOLT ASSEMBLY	12	0.77
14	P23-96	GALV. 2" STANDARD PIPE @ 8' LONG	6	29.29



QTY:
CHK:

STANDARD TOLERANCES:
(UNLESS OTHERWISE NOTED)
FRACTIONS ±1/16"
DECIMALS ±.005"
ANGLES ±.5°

THIS DESIGN AND INFORMATION CONTAINED ON THIS PRINT IS THE PROPERTY OF NEWAVE TOWER COMPONENTS LLC. ANY REPRODUCTION, DUPLICATION OR TRANSFER OF THE PROPRIETARY CONTENT IS PROHIBITED WITHOUT WRITTEN PERMISSION.

NEWAVE
 Tower Components 503-792-3739
 10910 PORTLAND RD. BROOKS, OR 97305

MATERIAL: AS SHOWN	DRAWN BY: KY	TITLE: 3-SECTOR HEAVY DUTY RINGMOUNT KIT 12" STAND OFF W/ 2-3/8" O.D PIPE x 8' LONG		
HOLES: AS SHOWN	CHECKED BY:	SERIES: MONOPOLE MOUNTING		
FINISH: HDG	DATE: 12/30/2014	PART WT (BARE): 614.7 LB	DRAWING NO. M532-12-28	SHEET: 1 OF 1