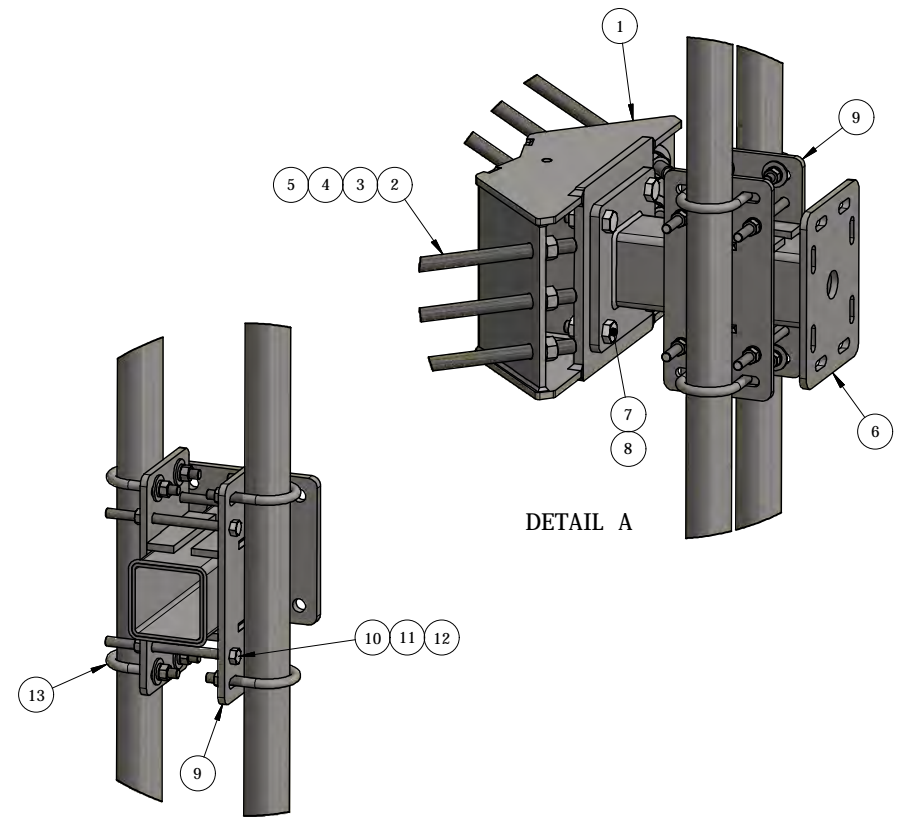


ITEM	PART #	DESCRIPTION	QTY	UNIT WT
1	MF1060-4.01	HEAVY DUTY 4-SECTOR 10" TO 60" O.D RING MOUNT WELDMENT	4	53.76
2	27-5588-005	3/4" x 42" B7 HDG ALL-THREAD	12	5.26
3	27-5481-005	3/4" A36 HDG FLAT WASHER	24	0.09
4	27-5490-005	3/4" HDG LOCK WASHER	24	0.05
5	27-5501-005	3/4" HDG HEX NUT	24	0.14
6	M3016-12.01	SINGLE ANTENNA 12" STAND OFF WELDMENT	4	23.10
7	27-5440-005	GALV. 5/8" x 2-1/4" A325 BOLT ASSEMBLY	16	0.31
8	27-5370-005	5/8" A36 HDG FLAT WASHER	16	0.08
9	MRRU-4.01	RRU CLAMP WELDMENT FOR 4" SQ. STAND OFF	8	9.13
10	27-4320-005	GALV. 1/2" x 7" GR.5 FULL THREADED BOLT	16	0.44
11	27-5210-005	1/2" HDG LOCK WASHER	16	0.01
12	27-5222-005	1/2" HDG HEX NUT	16	0.04
13	27-6060-005	GALV. 1/2" x 2-1/2" x 4" GR-5 U-BOLT ASSEMBLY	16	0.76
14	P23-96	GALV. 2" STANDARD PIPE @ 8' LONG	8	29.25



DETAIL B

QTY:
CHK:

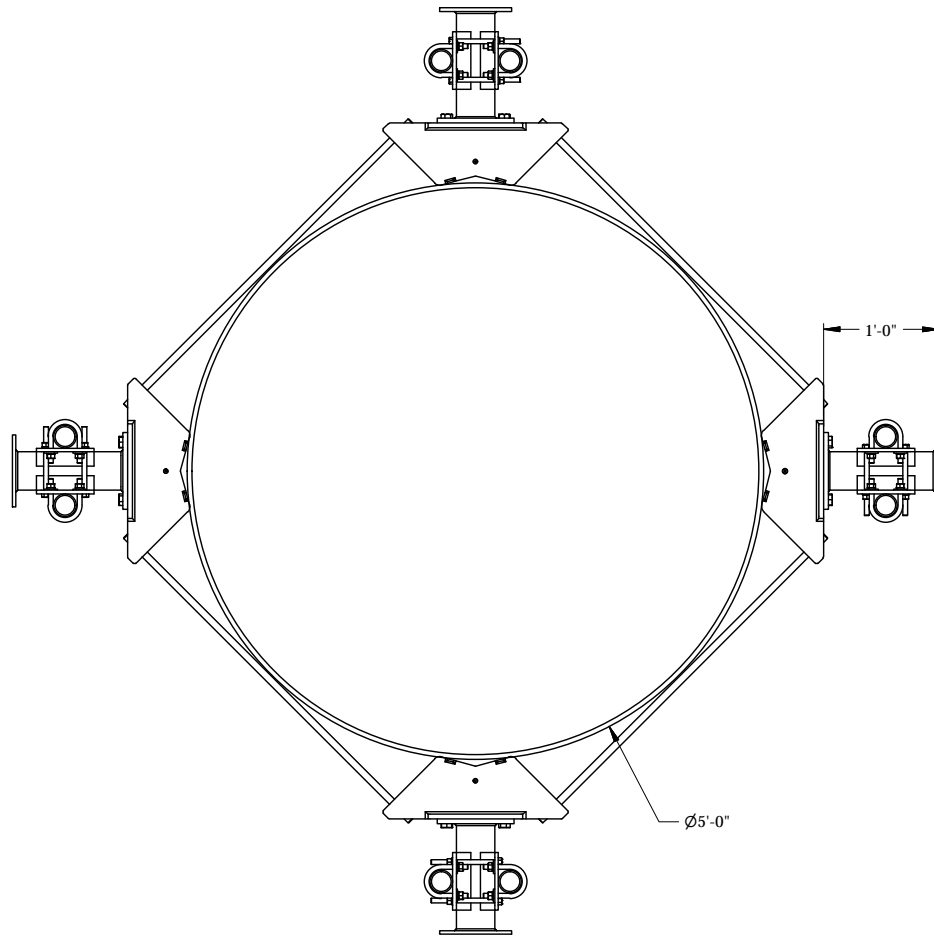
STANDARD TOLERANCES:
(UNLESS OTHERWISE NOTED)

FRACTIONS	- 1/16"
1 DECIMAL	- .1"
2 DECIMAL	- .03"
3 DECIMAL	- .005"
ANGLES	- .5°

THIS DESIGN AND INFORMATION CONTAINED ON THIS PRINT IS THE PROPERTY OF NEWAVE TOWER COMPONENTS LLC. ANY REPRODUCTION, DUPLICATION OR TRANSFER OF THE PROPRIETARY CONTENT IS PROHIBITED WITHOUT WRITTEN PERMISSION.

NEWAVE
 Tower Components. 503-792-3739
 10910 PORTLAND RD. BROOKS, OR 97305

MATERIAL:		AS SHOWN		TITLE:	
GRADE:		DRAWN BY:		4-SECTOR HEAVY DUTY RINGMOUNT KIT	
FINISH:		CHECKED BY:		12" STAND OFF W/ 2-3/8" O.D PIPE x 8' LONG	
HDG		-		SERIES: MONOPOLE MOUNTING	
		DATE:		PART WT (BARE):	
		12/11/2017		713.2 LB	
				DRAWING NO.	
				M541-12-28	




TOP VIEW

QTY:
CHK:

STANDARD TOLERANCES:
(UNLESS OTHERWISE NOTED)

FRACTIONS - 1/16"
1 DECIMAL - .1"
2 DECIMAL - .03"
3 DECIMAL - .005"
ANGLES - .5°

THIS DESIGN AND INFORMATION CONTAINED ON THIS PRINT IS THE PROPERTY OF NEWAVE TOWER COMPONENTS LLC. ANY REPRODUCTION, DUPLICATION OR TRANSFER OF THE PROPRIETARY CONTENT IS PROHIBITED WITHOUT WRITTEN PERMISSION.


NEWAVE
 Tower Components, 503-792-3739
 10910 PORTLAND RD. BROOKS, OR 97305

MATERIAL:		AS SHOWN		TITLE:	
GRADE:		DRAWN BY:		4-SECTOR HEAVY DUTY RING MOUNT KIT	
FINISH:		CHECKED BY:		12" STAND OFF W/ 2-3/8" O.D PIPE x 8' LONG	
HDG		-		SERIES: MONOPOLE MOUNTING	
		DATE:		PART WT (BARE):	
		12/11/2017		713.2 LB	
				DRAWING NO.	
				M541-12-28	