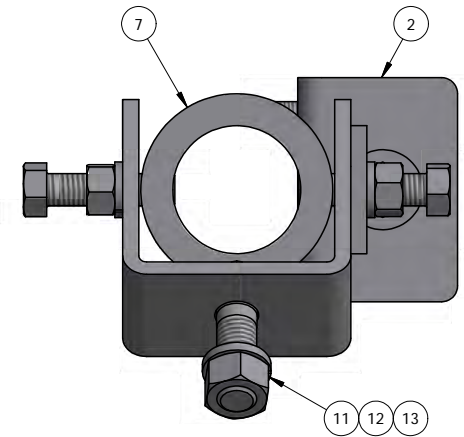
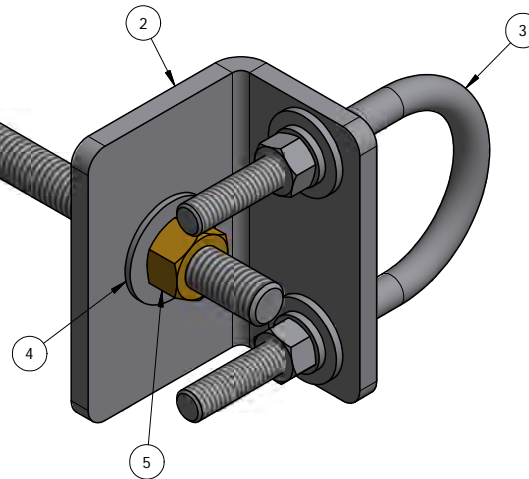
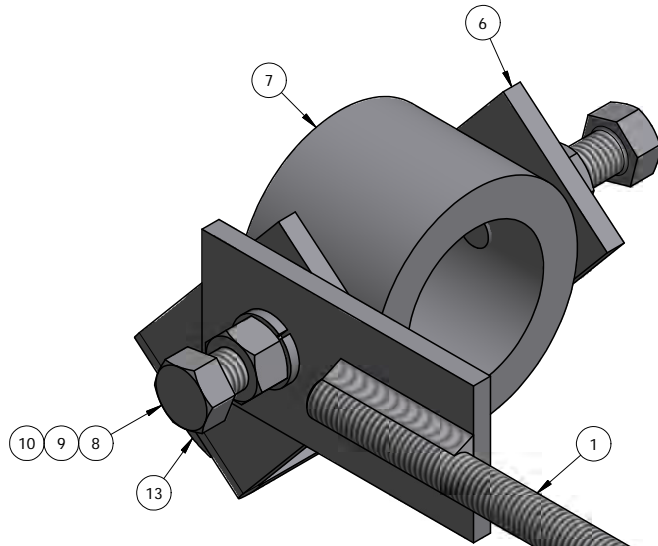


ITEM	PART #	DESCRIPTION	QTY	UNIT WT
1	MAA-178.01	STAINLESS STEEL AZIMUTH ADJUSTMENT WELDMENT	1	1.29
2	MAA-178.04	1/4" BENT AZIMUTH ADJUSTMENT PLATE	1	0.99
3	27-6040-005	GALV. 3/8" x 2" x 4" U-BOLT ASSEMBLY	1	0.39
4	27-9150-005	SS 1/2" FLAT WASHER	2	0.02
5	27-7500-005	BRASS 1/2" FINISHED HEX NUT	2	0.05
6	AM1031-S1.01	1/4" STIFF ARM SWIVEL PLATE	1	1.35
7	AM1031-S1.02	STIFF ARM SEAMLESS TUBE SLEEVE	1	2.19
8	27-5261-005	GALV. 1/2" x 2" GR.5 FULL THREADED BOLT	2	0.16
9	27-5210-005	GALV. 1/2" LOCK WASHER	2	0.01
10	27-5222-005	GALV. 1/2" HEX NUT	2	0.04
11	27-4403-005	GALV. 5/8" x 2" GR.5 BOLT	1	0.27
12	27-5380-005	GALV. 5/8" LOCK WASHER	1	0.03
13	27-5391-005	GALV. 5/8" HEX NUT	1	0.08



FRONT VIEW

QTY:
CHK:

STANDARD TOLERANCES:
(UNLESS OTHERWISE NOTED)
FRACTIONS ±1/16"
DECIMALS ±.005"
ANGLES ±.5°

THIS DESIGN AND INFORMATION CONTAINED ON THIS PRINT IS THE PROPERTY OF NEWAVE TOWER COMPONENTS LLC. ANY REPRODUCTION, DUPLICATION OR TRANSFER OF THE PROPRIETARY CONTENT IS PROHIBITED WITHOUT WRITTEN PERMISSION.



MATERIAL: AS SHOWN
HOLES: AS SHOWN
FINISH: MULT
DRAWN BY: KY
CHECKED BY:
DATE: 3/1/2013

TITLE: MICROWAVE AZIMUTH ADJUSTMENT ASSEMBLY FOR 1-7/8" O.D PIPE
SERIES: TOWER ANTENNA MOUNTING
PART WT (BARE): 7.2 LB
DRAWING NO. MAA-178
SHEET: 1 OF 1