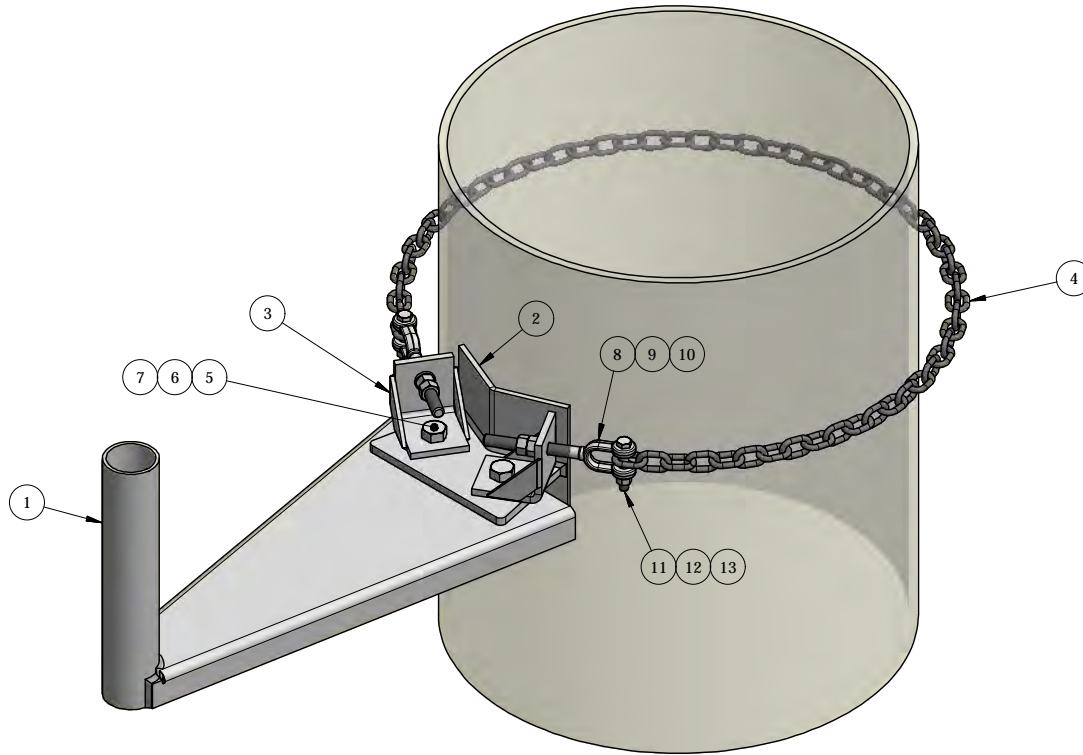


ITEM	PART #	DESCRIPTION	QTY	UNIT WT
1	MCMGPS-24.01	GPS BRACKET WELDMENT	1	16.98
2	MCMX-SA.01	UNIVERSAL CHAIN MOUNT BRACKET WELDMENT	1	6.04
3	MCMX.04	CHAIN MOUNT CLEVIS BOLT ATTACHEMENT WELDMENT	2	1.40
4	35-G14CG43	GALV. 1/4" HIGH TINSEL STRENGTH CHAIN, CUT @ 10' LONG	1	7.00
5	27-4403-005	5/8" x 2" GR.5 HDG BOLT	2	0.27
6	27-5380-005	5/8" HDG LOCK WASHER	2	0.03
7	27-5391-005	5/8" HDG HEX NUT	2	0.08
8	27-5340-005	GALV. 1/2" x 6" CLEVIS BOLT	2	0.47
9	27-5210-005	GALV. 1/2" LOCK WASHER	2	0.01
10	27-5222-005	GALV. 1/2" HEX NUT	4	0.04
11	27-5100-005	GALV. 3/8" x 2-1/4" GR.5 BOLT	2	0.09
12	27-5020-005	GALV. 3/8" LOCK WASHER	2	0.01
13	27-5030-005	GALV. 3/8" HEX NUT	2	0.02

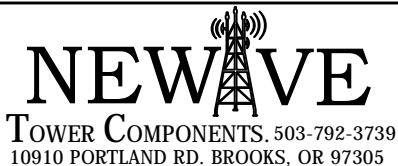


QTY:
CHK:

STANDARD TOLERANCES:
(UNLESS OTHERWISE NOTED)

FRACTIONS - 1/16"
1 DECIMAL - .1"
2 DECIMAL - .03"
3 DECIMAL - .005"
ANGLES - .5°

THIS DESIGN AND INFORMATION CONTAINED ON THIS PRINT IS THE PROPERTY OF NEWAVE TOWER COMPONENTS LLC. ANY REPRODUCTION, DUPLICATION OR TRANSFER OF THE PROPRIETARY CONTENT IS PROHIBITED WITHOUT WRITTEN PERMISSION.



MATERIAL:		AS SHOWN		TITLE:		
GRADE:		AS SHOWN		CHAIN MOUNT FOR GPS SINGLE CHAIN W/ 24" STAND-OFF		
FINISH:		HDG		SERIES: MONOPOLE MOUNTING		
DRAWN BY:		KY		DATE:	PART WT (BARE):	DRAWING NO.
CHECKED BY:		-		1/7/2013	34.9 LB	MCMGPS-24