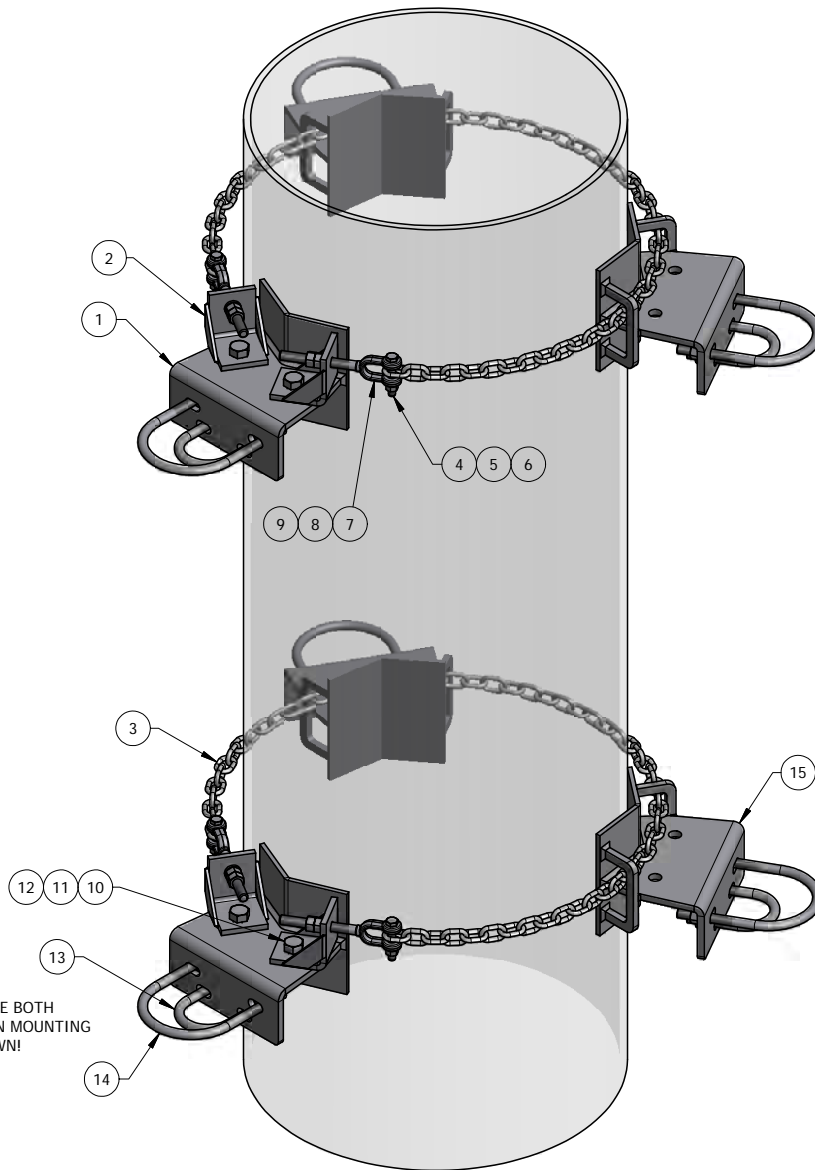


ITEM	PART #	DESCRIPTION	QTY
1	MCMX.01	CHAIN MOUNT BRACKET WELDMENT	2
2	MCMX.04	CHAIN MOUNT CLEVIS BOLT ATTACHEMT WELDMENT	4
3	35- G14CG43	GALV. 1/4" HIGH TINSEL STRENGTH CHAIN @ 10'-0" LONG	2
4	27-4206-005	GALV. 3/8" x 2-1/4" GR.5 BOLT	4
5	27-5020-005	GALV. 3/8" LOCK WASHER	4
6	27-5030-005	GALV. 3/8" HEX NUT	4
7	27-5340-005	1/2" x 6" CLEVIS BOLT - RH OR LH THREAD	4
8	27-5210-005	GALV. 1/2" LOCK WASHER	4
9	27-5222-005	GALV. 1/2" HEX NUT (MATCH THREAD TO CLEVIS BOLT)	8
10	27-4403-005	GALV. 5/8" x 2" GR.5 BOLT	4
11	27-5380-005	GALV. 5/8" LOCK WASHER	4
12	27-5390-005	GALV. 5/8" HEAVY HEX NUT	4
13	27-6060-005	GALV. 1/2" x 2-1/2" x 4" U-BOLT ASSEMBLY	6
14	27-6140-005	GALV. 1/2" x 4 5/8" x 6 1/2" U-BOLT ASSEMBLY	6
15	MCMX.07	CHAIN MOUNT BRACKET WELDMENT W/ U-BARS	4



NOTE: PROVIDE BOTH U-BOLTS WHEN MOUNTING PIPE IS UNKNOWN!

QTY:
CHK:

STANDARD TOLERANCES:
(UNLESS OTHERWISE NOTED)
FRACTIONS ±1/16"
DECIMALS ±.005"
ANGLES ±.5°

THIS DESIGN AND INFORMATION CONTAINED ON THIS PRINT IS THE PROPERTY OF NEWAVE TOWER COMPONENTS LLC. ANY REPRODUCTION, DUPLICATION OR TRANSFER OF THE PROPRIETARY CONTENT IS PROHIBITED WITHOUT WRITTEN PERMISSION.

NEWAVE
Tower Components 503-792-3739
10910 PORTLAND RD. BROOKS, OR 97305

MATERIAL: AS SHOWN
HOLES: AS SHOWN
FINISH: HDG
DRAWN BY: KY
CHECKED BY:
DATE: 12/28/2012

TITLE: MONOPOLE CHAIN MOUNT SINGE CHAIN W/ 3-SECTOR
SERIES: MONOPOLE MOUNTING
PART WT (BARE): 81.2 LB
DRAWING NO. MCMX-3
SHEET: 1 OF 1