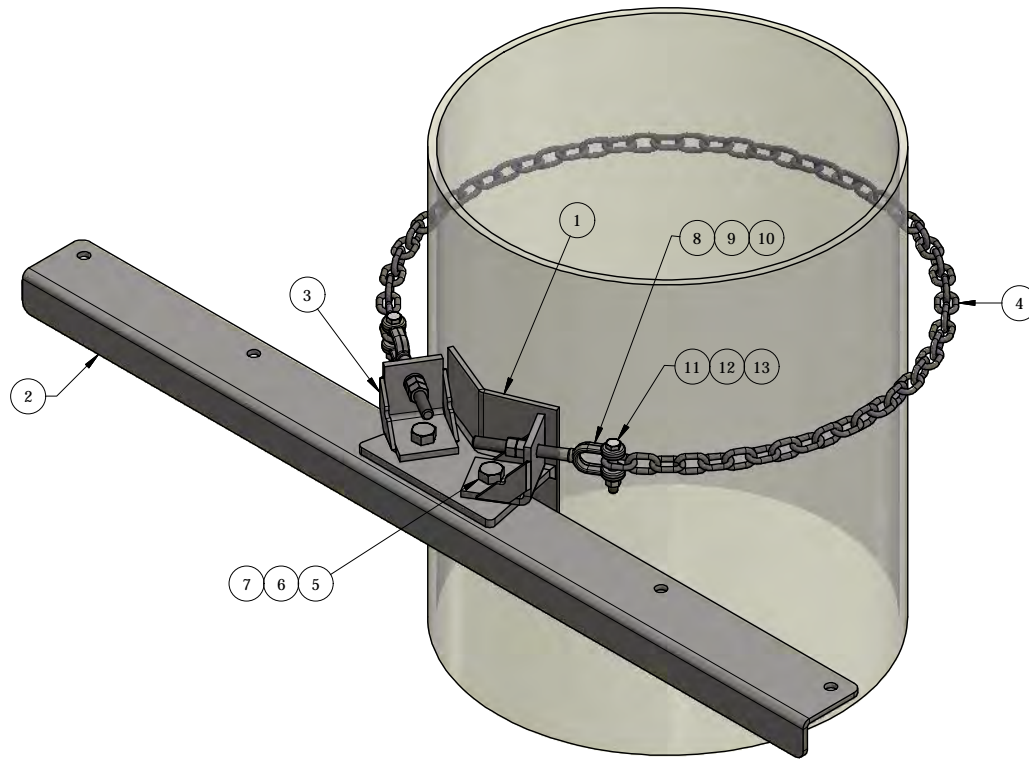


ITEM	PART #	DESCRIPTION	QTY	UNIT WT
1	MCMX-SA.01	UNIVERSAL CHAIN MOUNT BRACKET WELDMENT	1	6.04
2	MCMX-SA.03	1/4" BENT STIFF ARM ATTACHMENT ANGLE	1	16.63
3	MCMX.04	CHAIN MOUNT CLEVIS BOLT ATTACHEMT WELDMENT	2	1.39
4	35-G14CG43	GALV. 1/4" HIGH TINSEL STRENGTH CHAIN, CUT @ 10' LONG	1	7.00
5	27-4403-005	5/8 x 2 GR.5 HDG BOLT	2	0.27
6	27-5380-005	5/8" HDG LOCK WASHER	2	0.03
7	27-5391-005	5/8" HDG HEX NUT	2	0.08
8	27-5340-005	GALV. 1/2" x 6" CLEVIS BOLT	2	0.47
9	27-5210-005	1/2" HDG LOCK WASHER	2	0.01
10	27-5222-005	GALV. 1/2" HEX NUT (MATCH THREAD TO CLEVIS BOLT)	4	0.04
11	27-4206-005	GALV. 3/8" x 2-1/4" GR.5 BOLT	2	0.09
12	27-5020-005	3/8" HDG LOCK WASHER	2	0.01
13	27-5030-005	3/8" HDG HEX NUT	2	0.02



QTY:  
CHK:

**STANDARD TOLERANCES:**  
(UNLESS OTHERWISE NOTED)

FRACTIONS - 1/16"  
1 DECIMAL - .1"  
2 DECIMAL - .03"  
3 DECIMAL - .005"  
ANGLES - .5°

THIS DESIGN AND INFORMATION CONTAINED ON THIS PRINT IS THE PROPERTY OF NEWAVE TOWER COMPONENTS LLC. ANY REPRODUCTION, DUPLICATION OR TRANSFER OF THE PROPRIETARY CONTENT IS PROHIBITED WITHOUT WRITTEN PERMISSION.

**NEWAVE**  
Tower Components. 503-792-3739  
10910 PORTLAND RD. BROOKS, OR 97305

MATERIAL:		AS SHOWN		TITLE:	
GRADE:		DRAWN BY:		CHAIN MOUNT FOR SIFFF ARM SINGLE CHAIN CONNECTION	
FINISH:		CHECKED BY:		SERIES: MONOPOLE MOUNTING	
HDG		-		DATE: 1/7/2013	PART WT (BARE): 34.6 LB
				DRAWING NO. MCMX-SA	