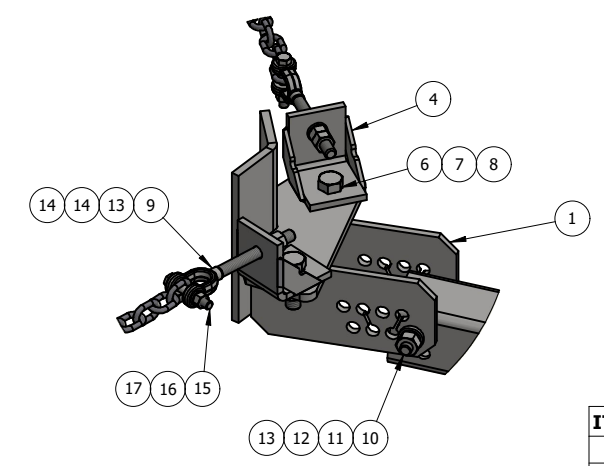


SIDE VIEW



DETAIL - A

NOTES:
 *MOUNT MAY BE INSTALLED ON SMALLER POLE DIAMETER DOWN TO Ø5 1/2" IF ALL-THREAD IS ORDERED AND REPLACES THE CHAIN AND CLEVIS BOLTS

ITEM	PART #	QTY	DESCRIPTION	LENGTH	FINISH	UNIT WT
1	MCMXAT.01	3	UNIVERSAL CHAIN MOUNT BRACKET WELDMENT		HDG	11.58
2	MCMXAT.05	3	UNIVERSAL CHAIN MOUNT BRACKET WELDMENT		HDG	10.29
3	PMAT8-12.01	6	PIPE MOUNT STAND-OFF		HDG	8.47
4	MCMX.04	12	CHAIN MOUNT CLEVIS BOLT ATTACHMENT		HDG	1.39
5	35- G14CG43	2	HDG - 1/4" HIGH STRENGTH CHAIN @ 10' LONG			7.50
6	27-4403-005	12	5/8 x 2 GR.5 HDG BOLT			0.27
7	27-5380-005	12	5/8 HDG LOCK WASHER			0.03
8	27-5391-005	12	5/8" HDG HEX NUT			0.08
9	27-5340-005	12	1/2" x 6" CLEVIS BOLT		HDG	0.47
10	27-5300-005	6	1/2 x 5 A325 HDG BOLT			0.34
11	27-5220-005	6	1/2 HDG HEAVY HEX NUT			0.07
12	27-5202-005	12	1/2 F436 HDG FLAT WASHER			0.03
13	27-5210-005	18	1/2 HDG LOCK WASHER			0.01
14	27-5222-005	24	1/2 HDG HEX NUT			0.04
15	27-4206-005	12	3/8 x 2 1/4 GR.5 HDG BOLT			0.09
16	27-5020-005	12	3/8 HDG LOCK WASHER			0.01
17	27-5030-005	12	3/8" HDG HEX NUT			0.02
18	27-6060-005	12	HDG - 1/2" x 2-1/2" x 4" U-BOLT ASSEMBLY		HDG	0.76

THIS DESIGN AND INFORMATION CONTAINED ON THIS PRINT IS THE PROPERTY OF VALLEY FAB CORPORATION. ANY REPRODUCTION, DUPLICATION OR TRANSFER OF THE PROPRIETARY CONTENT IS PROHIBITED WITHOUT WRITTEN PERMISSION.

STANDARD TOLERANCES:
 (UNLESS OTHERWISE NOTED)
 FRACTIONS ±1/16"
 DECIMALS ±0.01"
 ANGLES ±0.5°

NEWAVE
 TOWER COMPONENTS, 503-792-3739
 10910 PORTLAND RD. BROOKS, OR 97305

TOTAL WT: 173 LB
 QTY:
 FINISH: HDG
 JOB #:

TITLE: 3-SECTOR CHAIN MOUNT, ADJ. TAPER
 12" STAND-OFF, FITS 6-1/2" - 38" O.D POLE

SERIES: MONOPOLE MOUNTING SHEET: 1 OF 1

DRAWN BY: KY DATE: 1/25/2023 CHK'D BY: -
 DRAWING NO. MCMXAT3-12