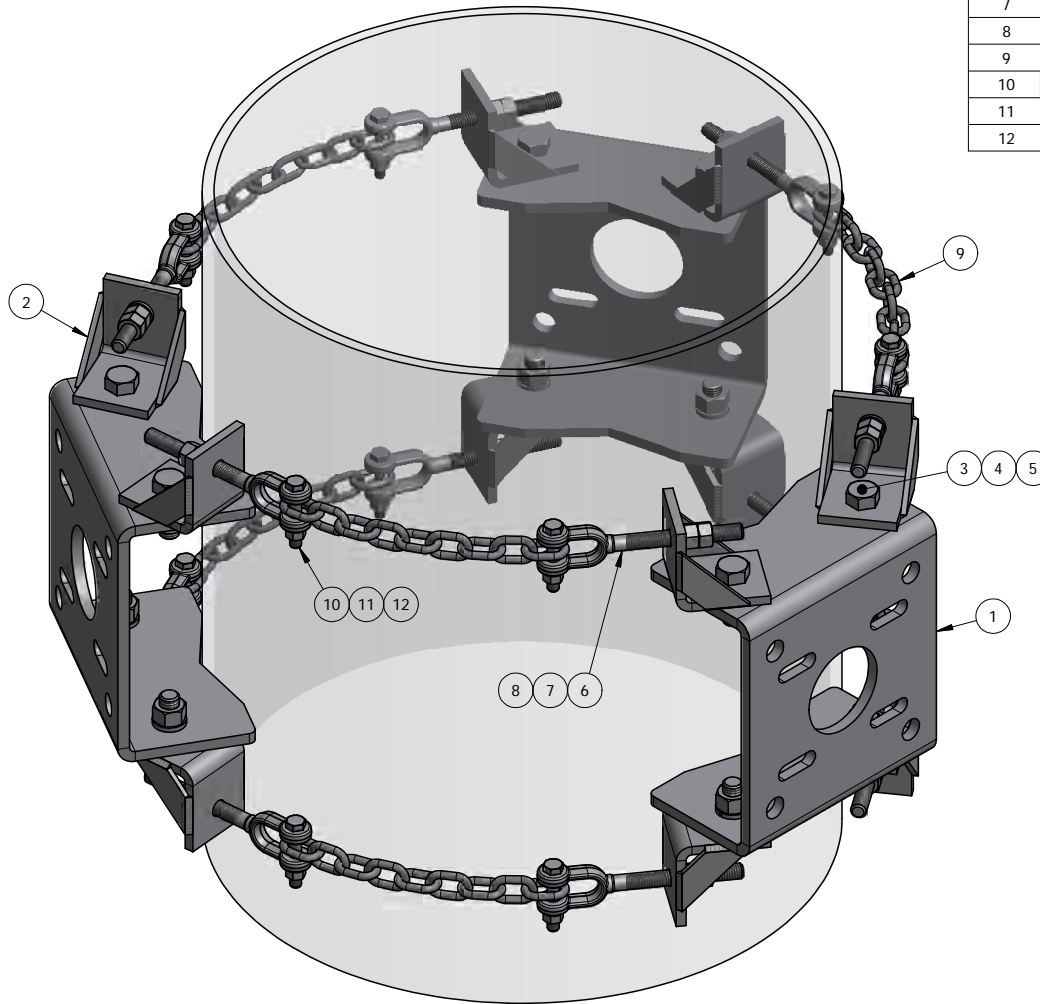


ITEM	PART #	DESCRIPTION	QTY	UNIT WT
1	MCMXX-M.01	MONOPOLE CHAIN MOUNT BENT STAND OFF CONNECTION PLATE	3	13.01
2	MCMX.04	CHAIN MOUNT CLEVIS BOLT ATTACHEMENT WELDMENT	12	1.40
3	27-4402-005	GALV. 5/8" x 1-3/4" GR.5 BOLT	12	0.25
4	27-5380-005	GALV. 5/8" LOCK WASHER	12	0.03
5	27-5391-005	GALV. 5/8" HEX NUT	12	0.08
6	27-5340-005	1/2" x 6" CLEVIS BOLT	12	0.47
7	27-5210-005	GALV. 1/2" LOCK WASHER	12	0.01
8	27-5222-005	GALV. 1/2" HEX NUT	24	0.04
9	35- G14CG43	GALV. 1/4" HIGH TINSEL STRENGTH CHAIN @ 20'-0" LONG	1	14.80
10	27-4206-005	GALV. 3/8" x 2-1/4" GR.5 BOLT	12	0.09
11	27-5020-005	GALV. 3/8" LOCK WASHER	12	0.01
12	27-5030-005	GALV. 3/8" HEX NUT	12	0.02



QTY:
CHK:

STANDARD TOLERANCES:
(UNLESS OTHERWISE NOTED)
FRACTIONS ±1/16"
DECIMALS ±.005"
ANGLES ±.5°

THIS DESIGN AND INFORMATION CONTAINED ON THIS PRINT IS THE PROPERTY OF NEWAVE TOWER COMPONENTS LLC. ANY REPRODUCTION, DUPLICATION OR TRANSFER OF THE PROPRIETARY CONTENT IS PROHIBITED WITHOUT WRITTEN PERMISSION.

NEWAVE
Tower Components. 503-792-3739
10910 PORTLAND RD. BROOKS, OR 97305

MATERIAL: AS SHOWN
HOLES: AS SHOWN
FINISH: HDG
DRAWN BY: KY
CHECKED BY:
DATE: 3/17/2015

TITLE: 3-SECTOR, DOUBLE CHAIN, MOUNT FOR STAND OFF CONNECTION, FITS 6" TO 40" POLE
SERIES: MONOPOLE MOUNTING
PART WT (BARE): 83.1 LB
DRAWING NO. MCMXX-M3
SHEET: 1 OF 1