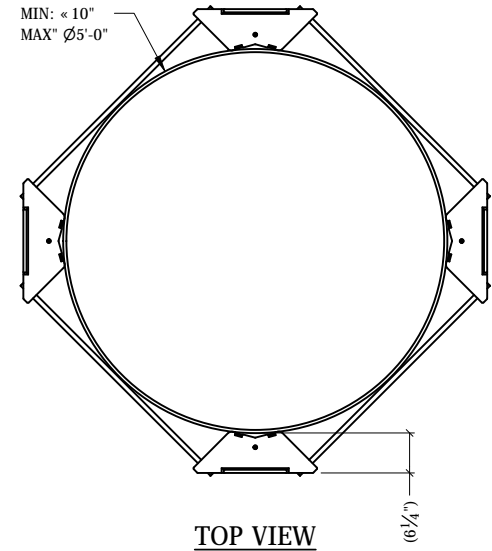
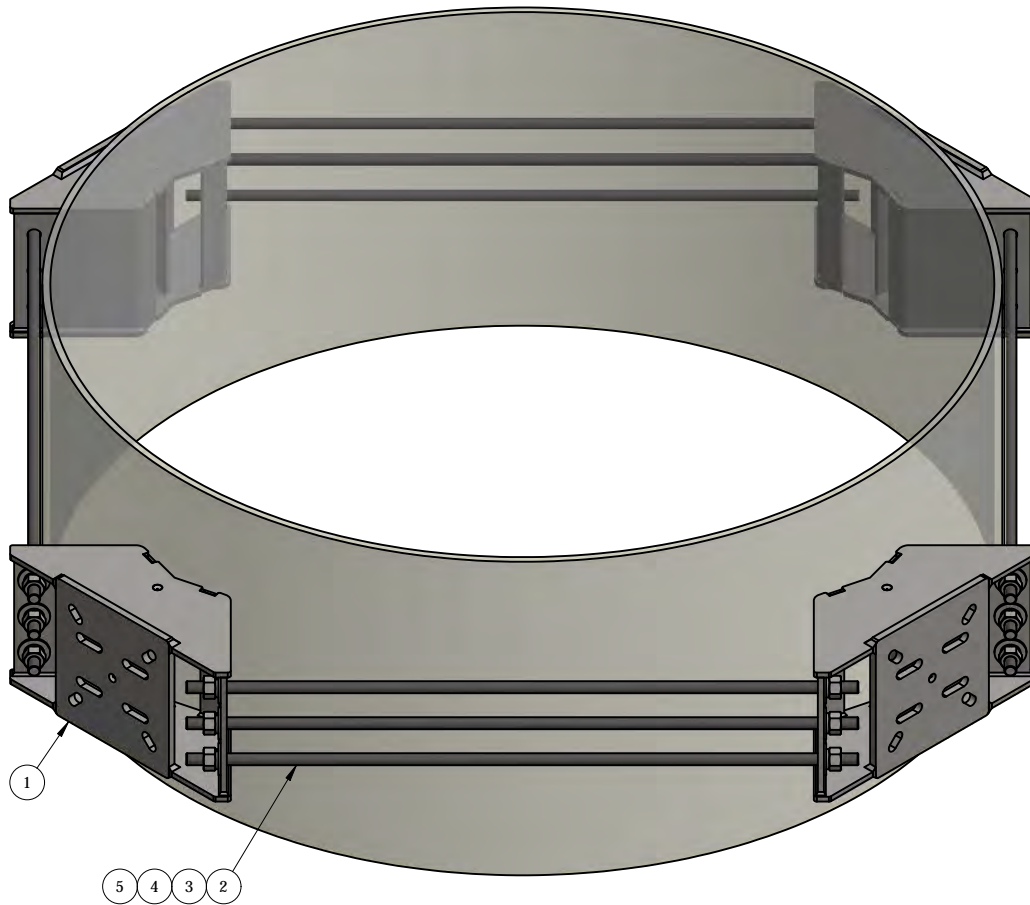


REV	BY	DESCRIPTION	DATE
A	JG	SEE IPROPERTY DESCRIPTION	12/13/2016



ITEM	PART #	QTY	DESCRIPTION	LENGTH	FINISH	UNIT WT
1	MF1060-4.01	4	HD 4-SECTOR 10" TO 60" O.D RING MOUNT		HDG	53.89
2	27-5588-005	12	3/4" x 42" B7 HDG ALL-THREAD	3'-6"		5.26
3	27-5481-005	24	3/4 A36 HDG FLAT WASHER			0.11
4	27-5490-005	24	3/4 HDG LOCK WASHER			0.04
5	27-5500-005	24	3/4 HDG HEAVY HEX NUT			0.21

THIS DESIGN AND INFORMATION CONTAINED ON THIS PRINT IS THE PROPERTY OF VALLEY FAB CORPORATION. ANY REPRODUCTION, DUPLICATION OR TRANSFER OF THE PROPRIETARY CONTENT IS PROHIBITED WITHOUT WRITTEN PERMISSION.

STANDARD TOLERANCES:
(UNLESS OTHERWISE NOTED)
FRACTIONS - 1/16"
DECIMALS - 0.01"
ANGLES - 0.5°

NEWAVE
TOWER COMPONENTS. 503-792-3739
10910 PORTLAND RD. BROOKS, OR 97305

TOTAL WT: 287.45 LB
QTY:
FINISH:
JOB #:

TITLE:	HEAVY DUTY 4-SECTOR UNIVERSAL RING MOUNT FITS 10" TO 60" O.D. POLE	DRAWN BY:	JG	DATE:	7/17/2018	CHK'D BY:	
SERIES:	MONOPOLE MOUNTING	DRAWING NO.		MF1060-4			
SHEET:		1 OF 1					