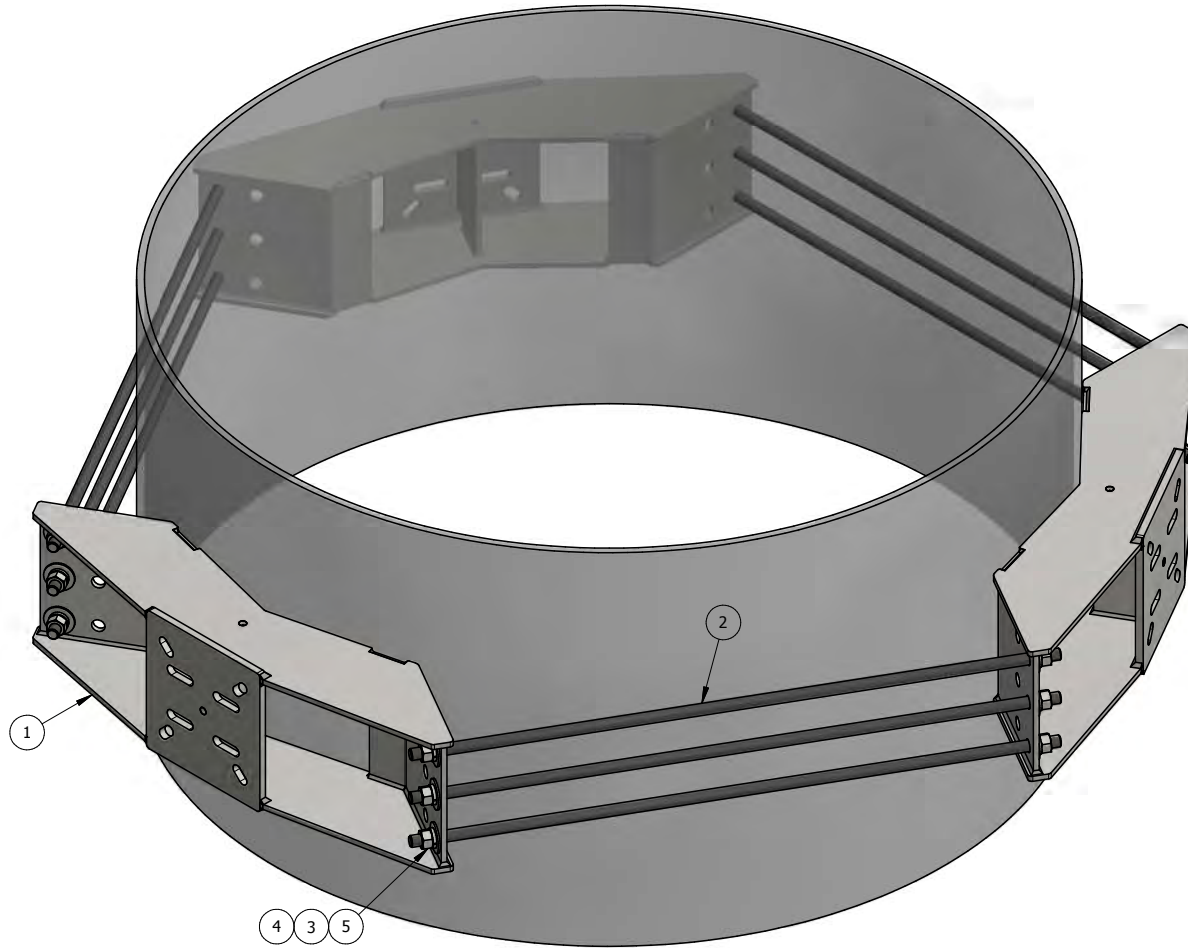


| ITEM | PART # | DESCRIPTION | QTY | UNIT WT |
|------|-------------|------------------------------------------|-----|---------|
| 1 | MF3060-3.01 | UNIVERSAL 30" TO 60" RING MOUNT WELDMENT | 3 | 80.43 |
| 2 | 27-5588-005 | GALV. 3/4" B7 ALL THREAD @ 42" LONG | 9 | 5.25 |
| 3 | 27-5481-005 | GALV. 3/4" FLAT WASHER | 18 | 0.09 |
| 4 | 27-5490-005 | GALV. 3/4" LOCK WASHER | 18 | 0.05 |
| 5 | 27-5501-005 | GALV. 3/4" HEX NUT REGULAR | 18 | 0.14 |



QTY:
CHK:

STANDARD TOLERANCES:
(UNLESS OTHERWISE NOTED)
FRACTIONS ±1/16"
DECIMALS ±.005"
ANGLES ±.5°

THIS DESIGN AND INFORMATION CONTAINED ON THIS PRINT IS THE PROPERTY OF NEWAVE TOWER COMPONENTS LLC. ANY REPRODUCTION, DUPLICATION OR TRANSFER OF THE PROPRIETARY CONTENT IS PROHIBITED WITHOUT WRITTEN PERMISSION.

NEWAVE
TOWER COMPONENTS. 503-792-3739
10910 PORTLAND RD. BROOKS, OR 97305

MATERIAL: AS SHOWN
HOLES: AS SHOWN
FINISH: HDG

DRAWN BY: JG
CHECKED BY: KY
DATE: 1/3/2014

TITLE: 3-SECTOR HEAVY DUTY RING MOUNT FITS 30" TO 60" O.D. POLE
SERIES: MONOPOLE MOUNTING
PART WT (BARE): 293.6 LB
DRAWING NO. MF3060-3
SHEET: 1 OF 1