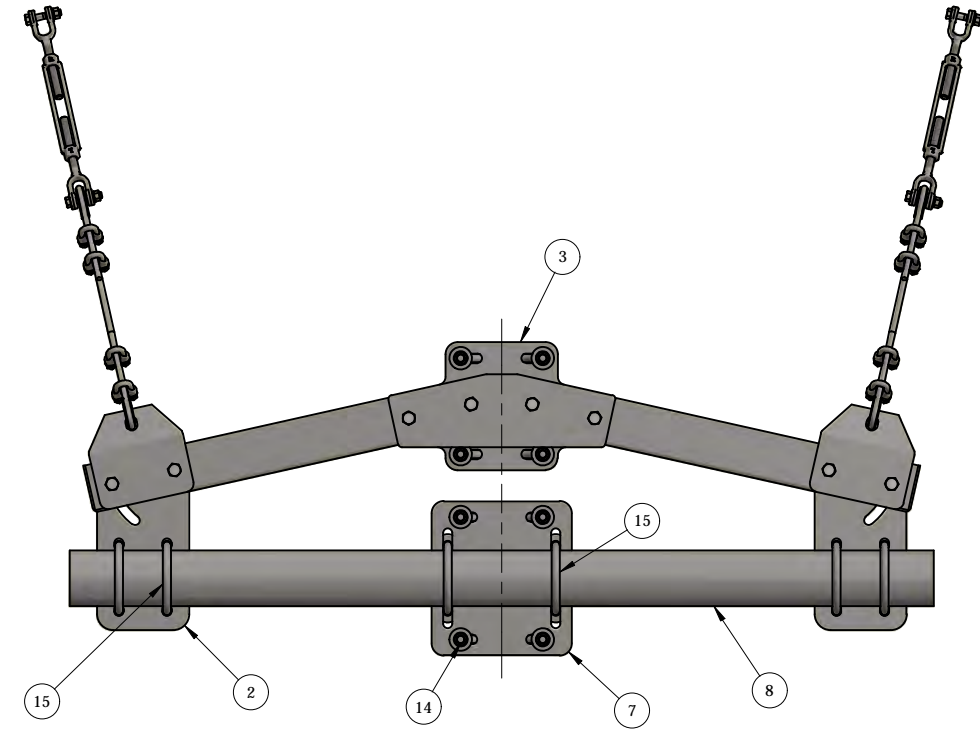
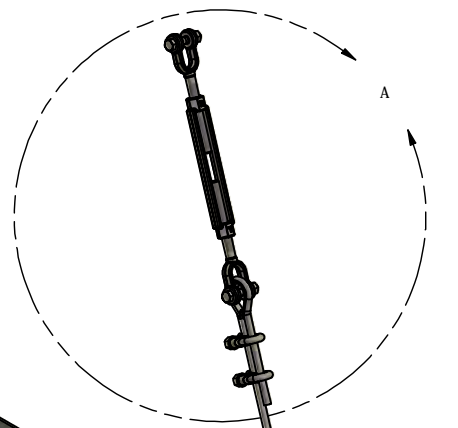
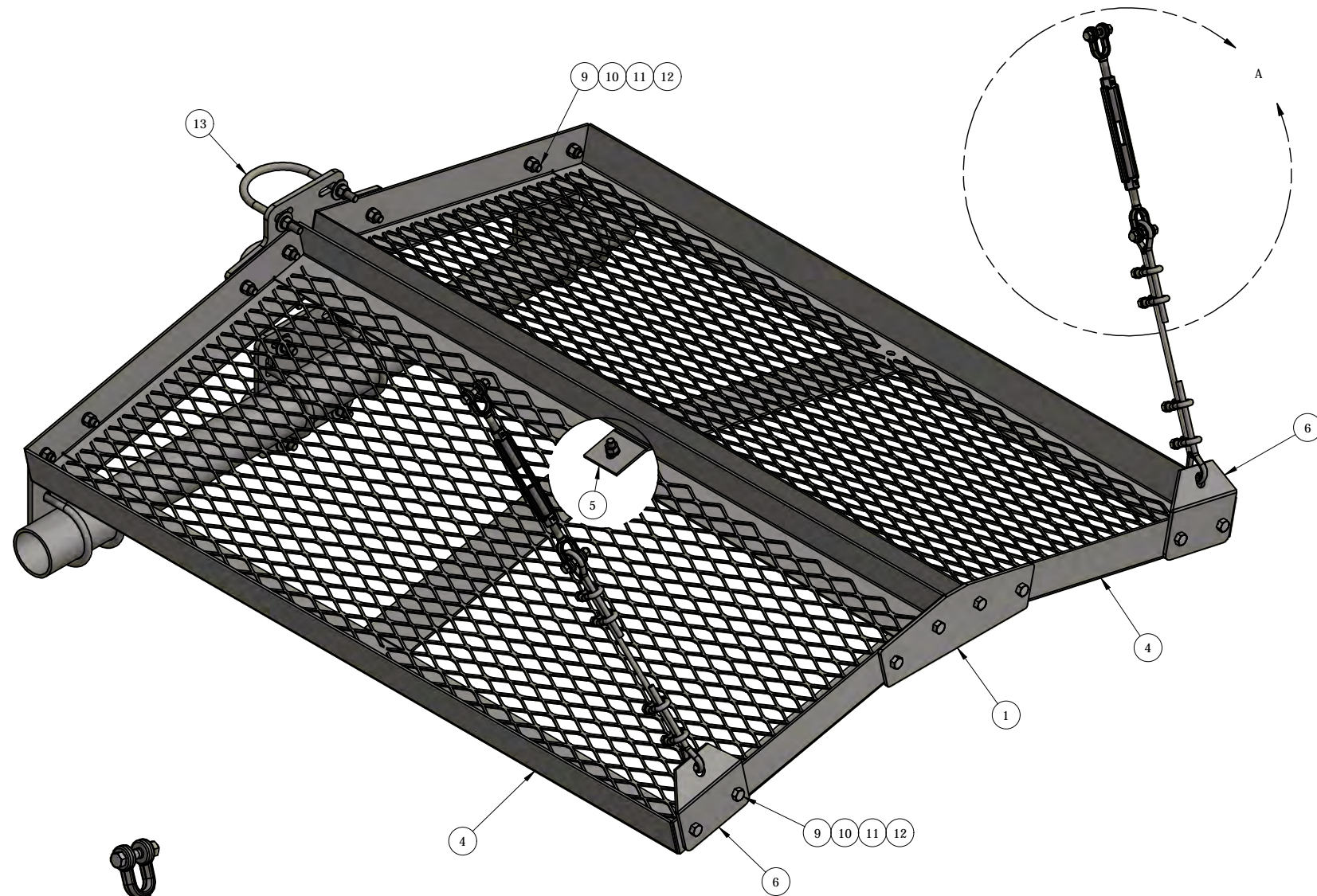
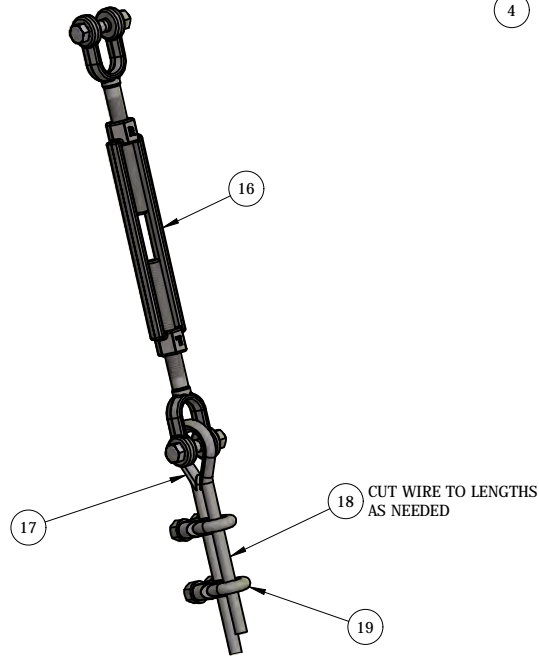


REV	BY	DESCRIPTION	DATE
A	KY	ADJ. TURN BUCKLE QTY	11/9/2015



FRONT VIEW



DETAIL - A

ITEM	PART #	QTY	DESCRIPTION	LENGTH	FINISH	UNIT WT
1	MIS4-R.01	1	MICROWAVE ICE SHIELD CONNECTION PLATE		HDG	3.78
2	MIS4-R.02	2	3/8" PLATE		HDG	5.97
3	MIS4-R.03	1	MICROWAVE ICE SHIELD MAIN SUPPORT PLATE		HDG	7.96
4	MIS4-R.04	2	MICROWAVE ICE SHIELD 2'-2" x 5'-0" PANEL		HDG	66.11
5	MIS8-R.08	1	3/16" PLATE		HDG	0.83
6	MIS4-R.09	2	1/4" PLATE		HDG	2.24
7	CXP3	1	3/8" PLATE		HDG	8.15
8	P35-54	1	3" STD PIPE	4'-6"	HDG	34.13
9	27-4301-005	18	1/2" x 1 1/2" GR.5 HDG BOLT			0.13
10	27-5200-005	3	1/2" A36 HDG FLAT WASHER			0.04
11	27-5210-005	18	1/2" HDG LOCK WASHER			0.01
12	27-5222-005	18	1/2" HDG HEX NUT			0.04
13	27-6140-005	2	GALV. 1/2" x 4 5/8" x 6 1/2" U-BOLT ASSEMBLY			0.94
14	27-6130-005	2	GALV. 1/2" x 4-5/8" x 6" U-BOLT ASSEMBLY			0.88
15	27-6090-005	6	GALV. 1/2" x 3 5/8" x 5" U-BOLT ASSEMBLY			0.74
16	27- TB126	2	GALV. 1/2" x 6" TURN BUCKLE			1.71
17	25- THIMBLE38	4	GALV. 3/8" THIMBLE			0.03
18	25- CABLE38	1	GALV. SAFETY CLIMB CABLE EHS 3/8" @ 50'-0"			7.50
19	25- ROPECLIP38	8	GALV. 3/8" WIRE ROPE CLIP			0.25

THIS DESIGN AND INFORMATION CONTAINED ON THIS PRINT IS THE PROPERTY OF VALLEY FAB CORPORATION. ANY REPRODUCTION, DUPLICATION OR TRANSFER OF THE PROPRIETARY CONTENT IS PROHIBITED WITHOUT WRITTEN PERMISSION.

STANDARD TOLERANCES:
(UNLESS OTHERWISE NOTED)
FRACTIONS -1/16"
DECIMALS -0.01"
ANGLES -0.5°

NEWAVE
TOWER COMPONENTS, 503-792-3739
10910 PORTLAND RD. BROOKS, OR 97305

TOTAL WT: 235.65 LB
QTY:
FINISH: HDG
JOB #:

TITLE:	MICROWAVE ICE SHIELD FOR 4'-0" (ROUND) x 5'-0" (DEPTH)	DRAWN BY: JG	DATE: 5/9/2019	CHK'D BY:
SERIES:	ICE SHIELD	DRAWING NO. MIS4-R		
SHEET: 1 OF 1				