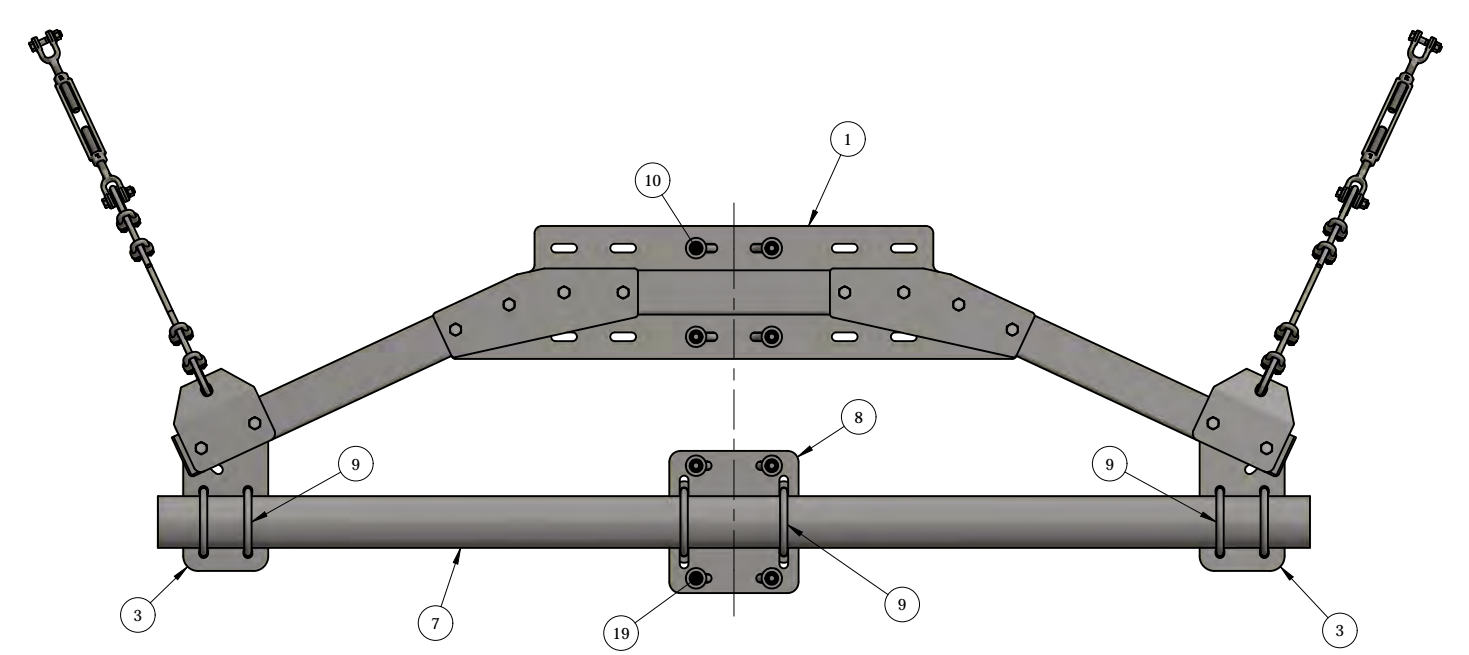
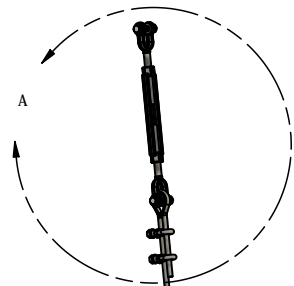
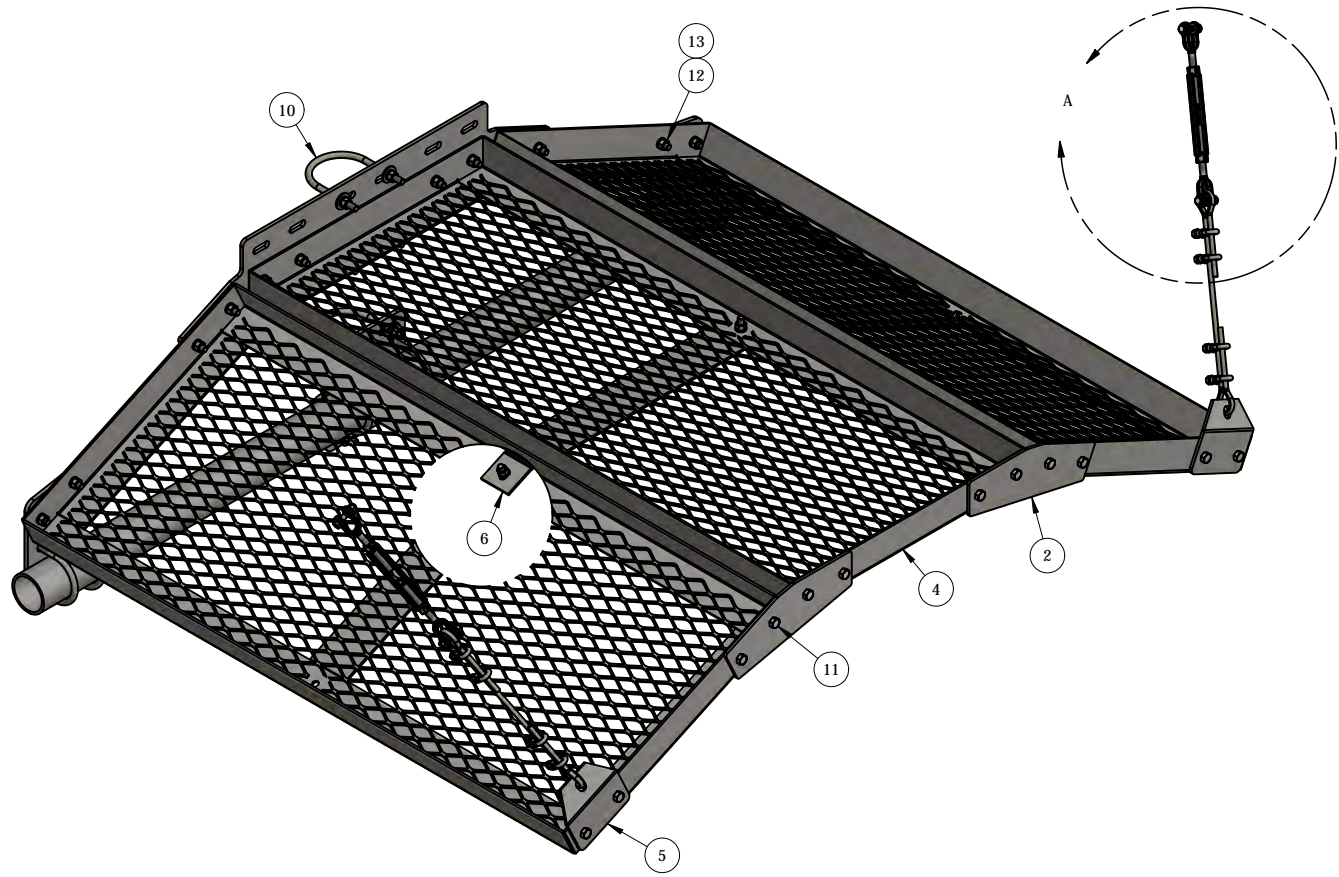
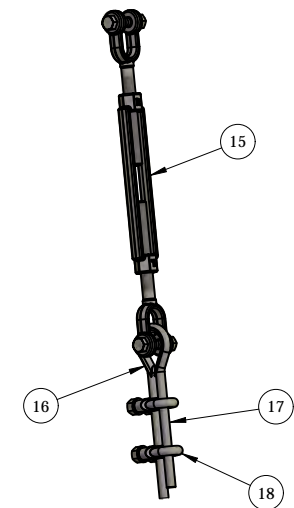


REV	BY	DESCRIPTION	DATE
A	KY	ADJ. TURN BUCKLE QTY	11/9/2015



FRONT VIEW



DETAIL A

ITEM	PART #	QTY	DESCRIPTION	LENGTH	FINISH	UNIT WT
1	MIS6-R.01	1	6" ROUND MICROWAVE ICE SHIELD MAIN		HDG	25.62
2	MIS4-R.01	2	MICROWAVE ICE SHIELD CONNECTION PLATE		HDG	3.78
3	MIS4-R.02	2	3/8" PLATE		HDG	5.97
4	MIS4-R.04	3	MICROWAVE ICE SHIELD 2'-2" x 5'-0" PANEL		HDG	66.11
5	MIS4-R.09	2	1/4" PLATE		HDG	2.24
6	MIS8-R.08	2	3/16" PLATE		HDG	0.83
7	P35-78	1	3 1/2" STD PIPE @ 6'-6" LONG	6'-6"		49.30
8	CXP3	1	3/8" PLATE		HDG	8.15
9	27-6090-005	6	GALV. 1/2" x 3 5/8" x 5" U-BOLT ASSEMBLY			0.91
10	27-6140-005	2	GALV. 1/2" x 4 5/8" x 6 1/2" U-BOLT ASSEMBLY			1.11
11	27-4301-005	28	1/2" x 1 1/2" GR.5 HDG BOLT			0.13
12	27-5200-005	4	1/2" A36 HDG FLAT WASHER			0.04
13	27-5210-005	28	1/2" HDG LOCK WASHER			0.01
14	27-5222-005	28	1/2" HDG HEX NUT			0.04
15	27-TB126	2	GALV. 1/2" x 6" TURN BUCKLE			1.71
16	25-THIMBLE38	4	GALV. 3/8" THIMBLE			0.03
17	25-CABLE38	2	GALV. SAFETY CLIMB CABLE EHS 3/8" @ 25'-0"			7.50
18	25-ROPECLIP38	8	GALV. 3/8" WIRE ROPE CLIP			0.25
19	27-6130-005	2	GALV. 1/2" x 4-5/8" x 6" U-BOLT ASSEMBLY			1.05

THIS DESIGN AND INFORMATION CONTAINED ON THIS PRINT IS THE PROPERTY OF VALLEY FAB CORPORATION. ANY REPRODUCTION, DUPLICATION OR TRANSFER OF THE PROPRIETARY CONTENT IS PROHIBITED WITHOUT WRITTEN PERMISSION.

STANDARD TOLERANCES:
(UNLESS OTHERWISE NOTED)
FRACTIONS - 1/16"
DECIMALS - 0.01"
ANGLES - 0.5°

NEWAVE
TOWER COMPONENTS, 503-792-3739
10910 PORTLAND RD. BROOKS, OR 97305

TOTAL WT: 342.85 LB
QTY:
FINISH: HDG
JOB #:

TITLE: MICROWAVE ICE SHIELD FOR 6'-0" (ROUND) x 5'-0" (DEPTH)

SERIES: ICE SHIELDS SHEET: 1 OF 1

DRAWN BY: JG DATE: 7/17/2018
CHK'D BY:
DRAWING NO. MIS6-R