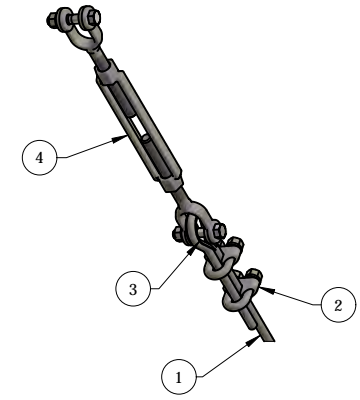
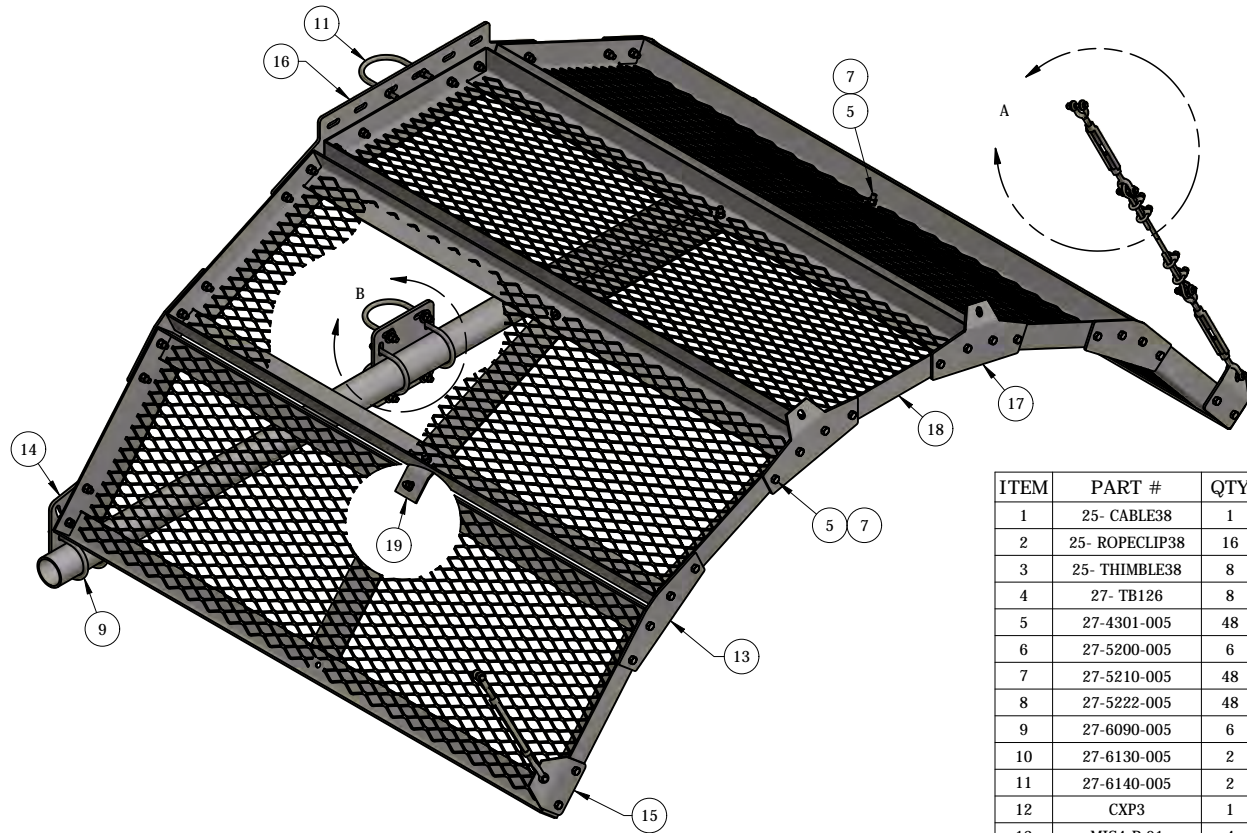


DETAIL B



DETAIL A

ITEM	PART #	QTY	DESCRIPTION	LENGTH	FINISH	UNIT WT
1	25- CABLE38	1	GALV. SAFETY CLIMB CABLE EHS 3/8" @ 100'-0"			30.00
2	25- ROECLIP38	16	GALV. 3/8" WIRE ROPE CLIP			0.25
3	25- THIMBLE38	8	GALV. 3/8" THIMBLE			0.03
4	27- TB126	8	GALV. 1/2" x 6" TURN BUCKLE			1.71
5	27-4301-005	48	1/2" x 1 1/2" GR.5 HDG BOLT			0.13
6	27-5200-005	6	1/2" A36 HDG FLAT WASHER			0.04
7	27-5210-005	48	1/2" HDG LOCK WASHER			0.01
8	27-5222-005	48	1/2" HDG HEX NUT			0.04
9	27-6090-005	6	GALV. 1/2" x 3 5/8" x 5" U-BOLT ASSEMBLY			0.91
10	27-6130-005	2	GALV. 1/2" x 4-5/8" x 6" U-BOLT ASSEMBLY			1.05
11	27-6140-005	2	GALV. 1/2" x 4 5/8" x 6 1/2" U-BOLT ASSEMBLY			1.11
12	CXP3	1	3/8" PLATE		HDG	8.15
13	MIS4-R.01	4	MICROWAVE ICE SHIELD CONNECTION PLATE		HDG	3.78
14	MIS4-R.02	2	3/8" PLATE		HDG	5.97
15	MIS4-R.09	2	1/4" PLATE		HDG	2.24
16	MIS8-R.01	1	5/16" PLATE		HDG	24.05
17	MIS8-R.02	2	1/4" PLATE		HDG	4.79
18	MIS8-R.03	5	2'-0" x 6'-0" PANEL		HDG	73.43
19	MIS8-R.08	4	3/16" PLATE		HDG	0.83
20	P35-108	1	3" STD PIPE @ 9'-0" LONG			68.26

THIS DESIGN AND INFORMATION CONTAINED ON THIS PRINT IS THE PROPERTY OF VALLEY FAB CORPORATION. ANY REPRODUCTION, DUPLICATION OR TRANSFER OF THE PROPRIETARY CONTENT IS PROHIBITED WITHOUT WRITTEN PERMISSION.

STANDARD TOLERANCES:
 (UNLESS OTHERWISE NOTED)
 FRACTIONS - 1/16"
 DECIMALS - 0.01"
 ANGLES - 0.5°

NEWAVE
 TOWER COMPONENTS. 503-792-3739
 10910 PORTLAND RD. BROOKS, OR 97305

TOTAL WT: 597.4 LB
 QTY:
 FINISH: HDG
 JOB #:

TITLE: MICROWAVE ICE SHIELD FOR 8'-0" (ROUND) x 6'-0" (DEPTH)
 SERIES: ICE SHIELDS SHEET: 1 OF 1
 DRAWN BY: JG DATE: 7/17/2018 CHK'D BY:
 DRAWING NO. MIS8-R