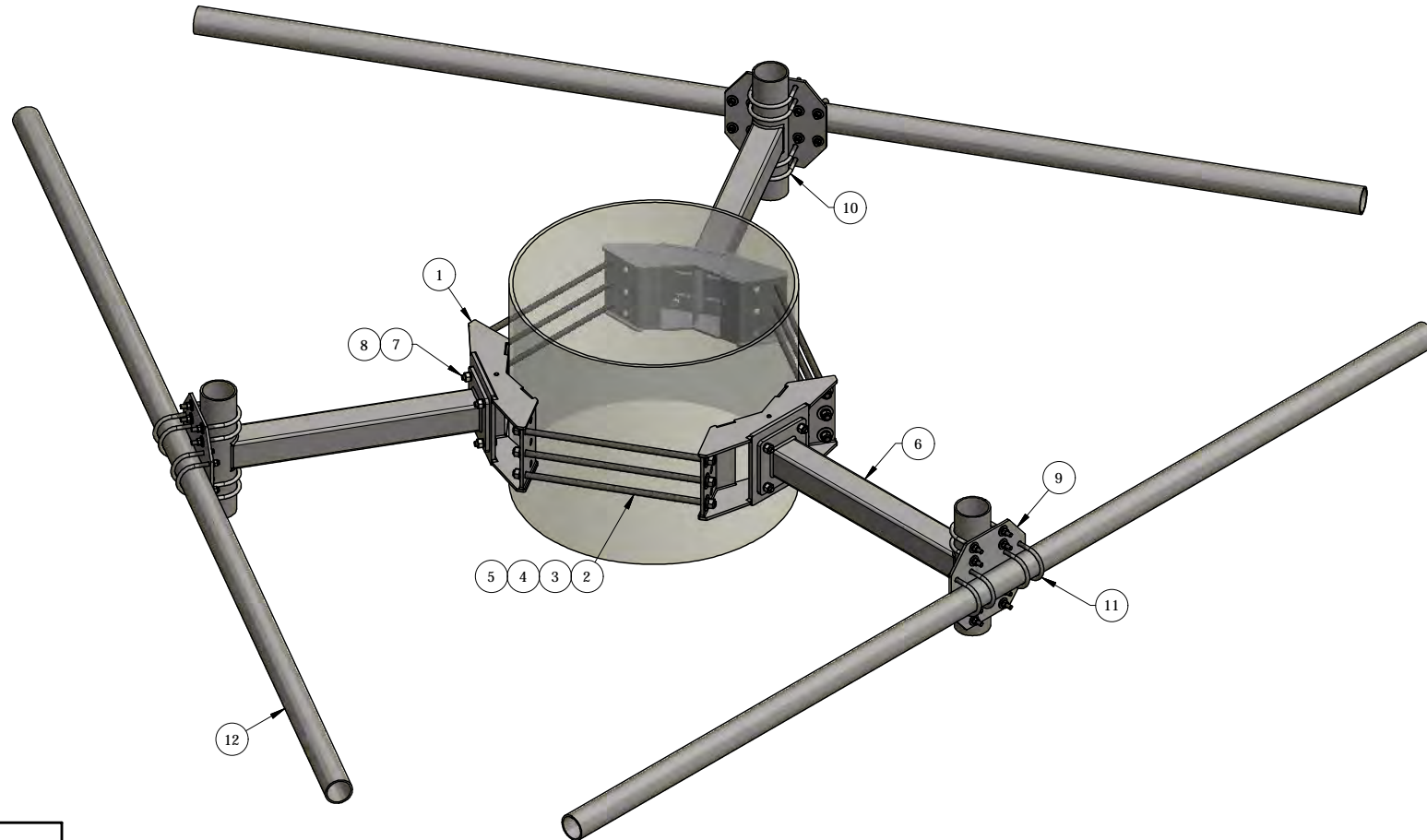


ITEM	PART #	DESCRIPTION	QTY	UNIT WT
1	MF1236-3.01	UNIVERSAL 12" TO 36" RING MOUNT WELDMENT	3	49.92
2	27-5580-005	GALV. 3/4" B7 ALL THREAD @ 26" LONG	9	3.26
3	27-5481-005	GALV. 3/4" FLAT WASHER	18	0.09
4	27-5490-005	GALV. 3/4" LOCK WASHER	18	0.05
5	27-5501-005	GALV. 3/4" HEX NUT REGULAR	18	0.14
6	M3015-36.01	SINGLE SUPPORT ARM 36" STAND OFF WELDMENT	3	48.70
7	27-5440-005	GALV. 5/8" x 2-1/4" A325 BOLT ASSEMBLY	12	0.31
8	27-5370-005	GALV. 5/8" FLAT WASHER	12	0.08
9	AM1016-XP.01	CROSS OVER (STOP SIGN) PLATE FOR 4-1/2" TO 3-1/2" O.D PIPE	3	15.40
10	27-6140-005	GALV. 1/2" x 4 5/8" x 6 1/2" U-BOLT ASSEMBLY	12	1.11
11	27-6090-005	GALV. 1/2" x 3 5/8" x 5" U-BOLT ASSEMBLY	12	0.91
12	P35-150	GALV. 3" STD PIPE @ 12'-6" LONG	3	94.80



QTY:
CHK:

STANDARD TOLERANCES:
(UNLESS OTHERWISE NOTED)

FRACTIONS - 1/16"
1 DECIMAL - .1"
2 DECIMAL - .03"
3 DECIMAL - .005"
ANGLES - .5°

THIS DESIGN AND INFORMATION CONTAINED ON THIS PRINT IS THE PROPERTY OF NEWAVE TOWER COMPONENTS LLC. ANY REPRODUCTION, DUPLICATION OR TRANSFER OF THE PROPRIETARY CONTENT IS PROHIBITED WITHOUT WRITTEN PERMISSION.

NEWAVE
 Tower Components. 503-792-3739
 10910 PORTLAND RD. BROOKS, OR 97305

MATERIAL: AS SHOWN
 GRADE: DRAWN BY: JG
 FINISH: HDG CHECKED BY: AS SHOWN

TITLE: 3-SECTOR CO-LOCATION T-ARM FRAME
 36" STAND OFF W/ 12'-6" FRACE
 SERIES: MONOPOLE MOUNTING
 DATE: 12/24/2013 PART WT (BARE): 691.6 LB DRAWING NO. MRCK3-12-36