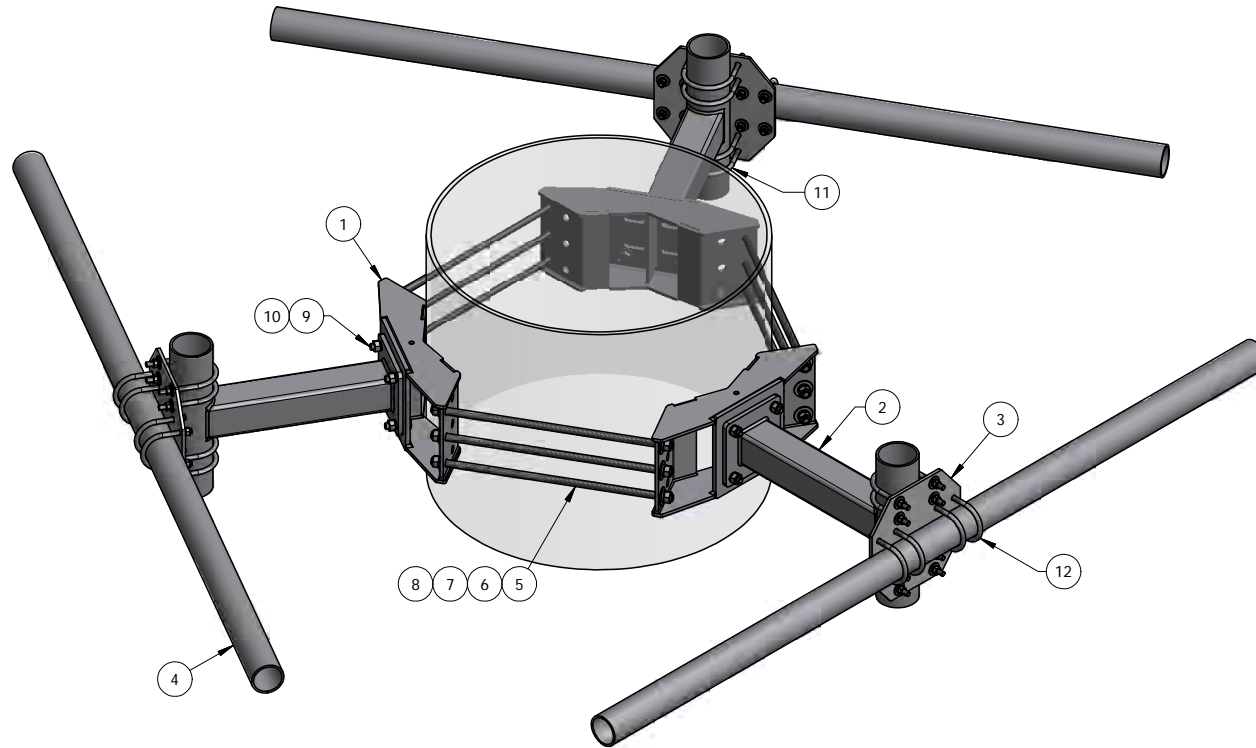


ITEM	PART #	DESCRIPTION	QTY	UNIT WT
1	MF1236-3.01	UNIVERSAL 12" TO 36" RING MOUNT WELDMENT	3	49.60
2	M3015-24.01	SINGLE SUPPORT ARM 24" STAND OFF WELDMENT	3	39.33
3	AM1016-XP.01	CROSS OVER (STOP SIGN) PLATE FOR 4-1/2" TO 3-1/2" O.D PIPE	3	15.42
4	P35-96	GALV. 3" STD PIPE @ 8' LONG	3	60.75
5	27-5580-005	GALV. 3/4" B7 ALL THREAD @ 26" LONG	9	3.25
6	27-5481-005	GALV. 3/4" FLAT WASHER	18	0.09
7	27-5490-005	GALV. 3/4" LOCK WASHER	18	0.05
8	27-5501-005	GALV. 3/4" HEX NUT REGULAR	18	0.14
9	27-5440-005	GALV. 5/8" x 2-1/4" A325 BOLT ASSEMBLY	12	0.31
10	27-5370-005	GALV. 5/8" FLAT WASHER	12	0.07
11	27-6140-005	GALV. 1/2" x 4 5/8" x 6 1/2" U-BOLT ASSEMBLY	12	1.11
12	27-6090-005	GALV. 1/2" x 3 5/8" x 5" U-BOLT ASSEMBLY	12	0.91



QTY:
CHK:

STANDARD TOLERANCES:
(UNLESS OTHERWISE NOTED)
FRACTIONS ± 1/16"
DECIMALS ± .005"
ANGLES ± .5°

THIS DESIGN AND INFORMATION CONTAINED ON THIS PRINT IS THE PROPERTY OF NEWAVE TOWER COMPONENTS LLC. ANY REPRODUCTION, DUPLICATION OR TRANSFER OF THE PROPRIETARY CONTENT IS PROHIBITED WITHOUT WRITTEN PERMISSION.

NEWAVE
Tower Components 503-792-3739
10910 PORTLAND RD. BROOKS, OR 97305

MATERIAL: AS SHOWN
HOLES: AS SHOWN
FINISH: HDG
DRAWN BY: JG
CHECKED BY:
DATE: 12/24/2013

TITLE: 3-SECTOR CO-LOCATION T-ARM FRAME
24" STAND OFF W/ 8'-0" FRACE
SERIES: MONOPOLE MOUNTING
PART WT (BARE): 560.4 LB
DRAWING NO. MRCK3-8-24
SHEET: 1 OF 1