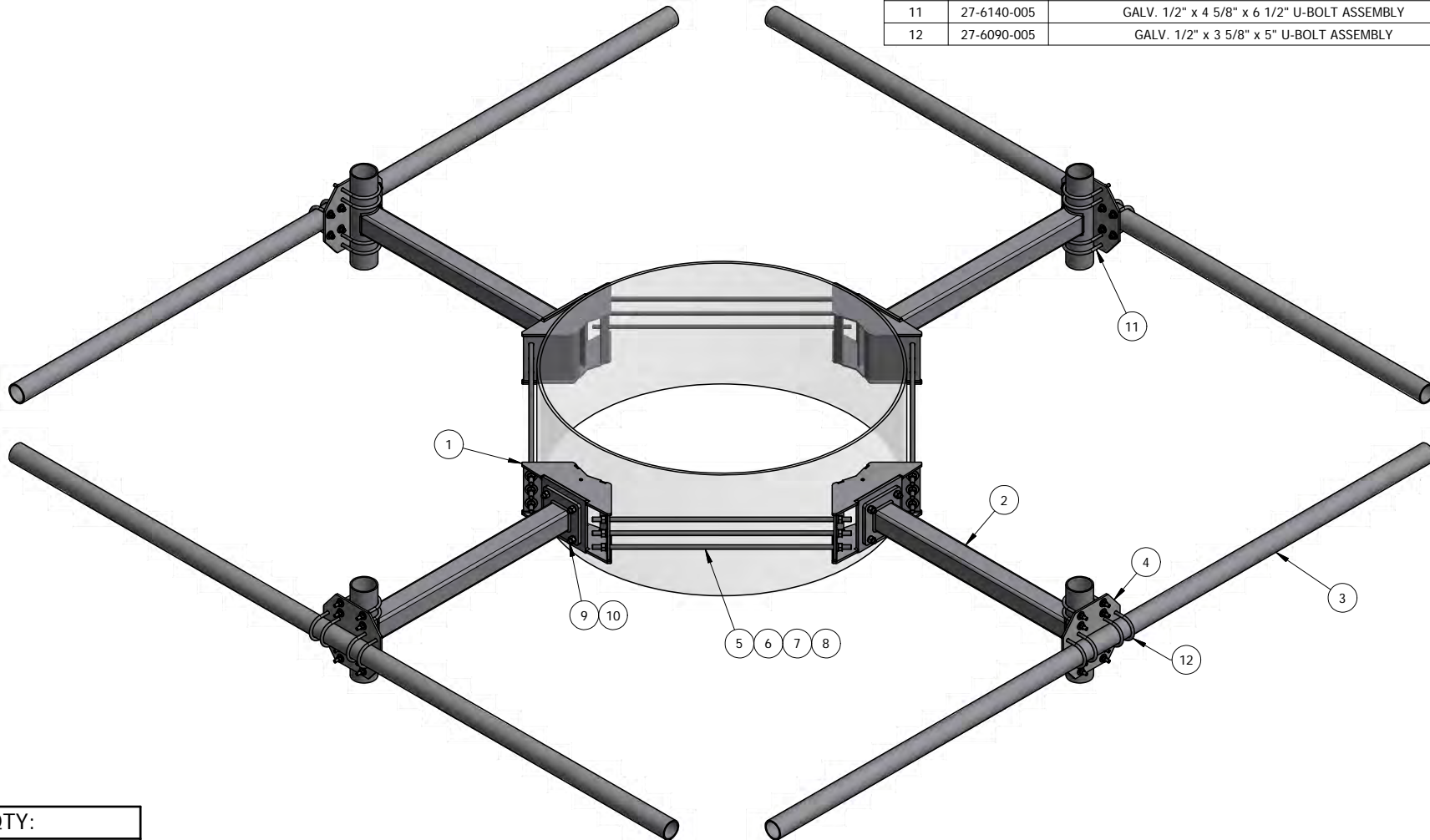


ITEM	PART #	DESCRIPTION	QTY	UNIT WT
1	MF1060-4.01	HEAVY DUTY 4-SECTOR 10" TO 60" O.D RING MOUNT WELDMNT	4	54.90
2	M3015-48.01	SINGLE SUPPORT ARM 48" STAND OFF WELDMNT	4	70.20
3	P35-150	GALV. 3" STD PIPE @ 12'-6" LONG	4	94.80
4	AM1016-XP.01	CROSS OVER (STOP SIGN) PLATE FOR 4-1/2" TO 3-1/2" O.D PIPE	4	15.42
5	27-5588-005	GALV. 3/4" B7 ALL THREAD @ 42" LONG	12	5.25
6	27-5481-005	GALV. 3/4" FLAT WASHER	24	0.09
7	27-5490-005	GALV. 3/4" LOCK WASHER	24	0.05
8	27-5501-005	GALV. 3/4" HEX NUT REGULAR	24	0.14
9	27-5450-005	GALV. 5/8" x 2-1/2" A325 BOLT ASSEMBLY	16	0.33
10	27-5370-005	GALV. 5/8" FLAT WASHER	16	0.07
11	27-6140-005	GALV. 1/2" x 4 5/8" x 6 1/2" U-BOLT ASSEMBLY	16	1.11
12	27-6090-005	GALV. 1/2" x 3 5/8" x 5" U-BOLT ASSEMBLY	16	0.91



QTY:  
CHK:

**STANDARD TOLERANCES:**  
(UNLESS OTHERWISE NOTED)  
FRACTIONS ±1/16"  
DECIMALS ±.005"  
ANGLES ±.5°

THIS DESIGN AND INFORMATION CONTAINED ON THIS PRINT IS THE PROPERTY OF NEWAVE TOWER COMPONENTS LLC. ANY REPRODUCTION, DUPLICATION OR TRANSFER OF THE PROPRIETARY CONTENT IS PROHIBITED WITHOUT WRITTEN PERMISSION.

**NEWAVE**  
 TOWER COMPONENTS. 503-792-3739  
 10910 PORTLAND RD. BROOKS, OR 97305

MATERIAL: AS SHOWN  
HOLES: AS SHOWN  
FINISH: HDG

DRAWN BY: JG  
CHECKED BY: KY  
DATE: 12/24/2013

TITLE: 4-SECTOR CO-LOCATION T-ARM FRAME  
48" STAND OFF W/ 12'-6" FRACE

SERIES: MONOPOLE MOUNTING

PART WT (BARE): 1052.4 LB  
DRAWING NO. MRCK4-12-48  
SHEET: 1 OF 1