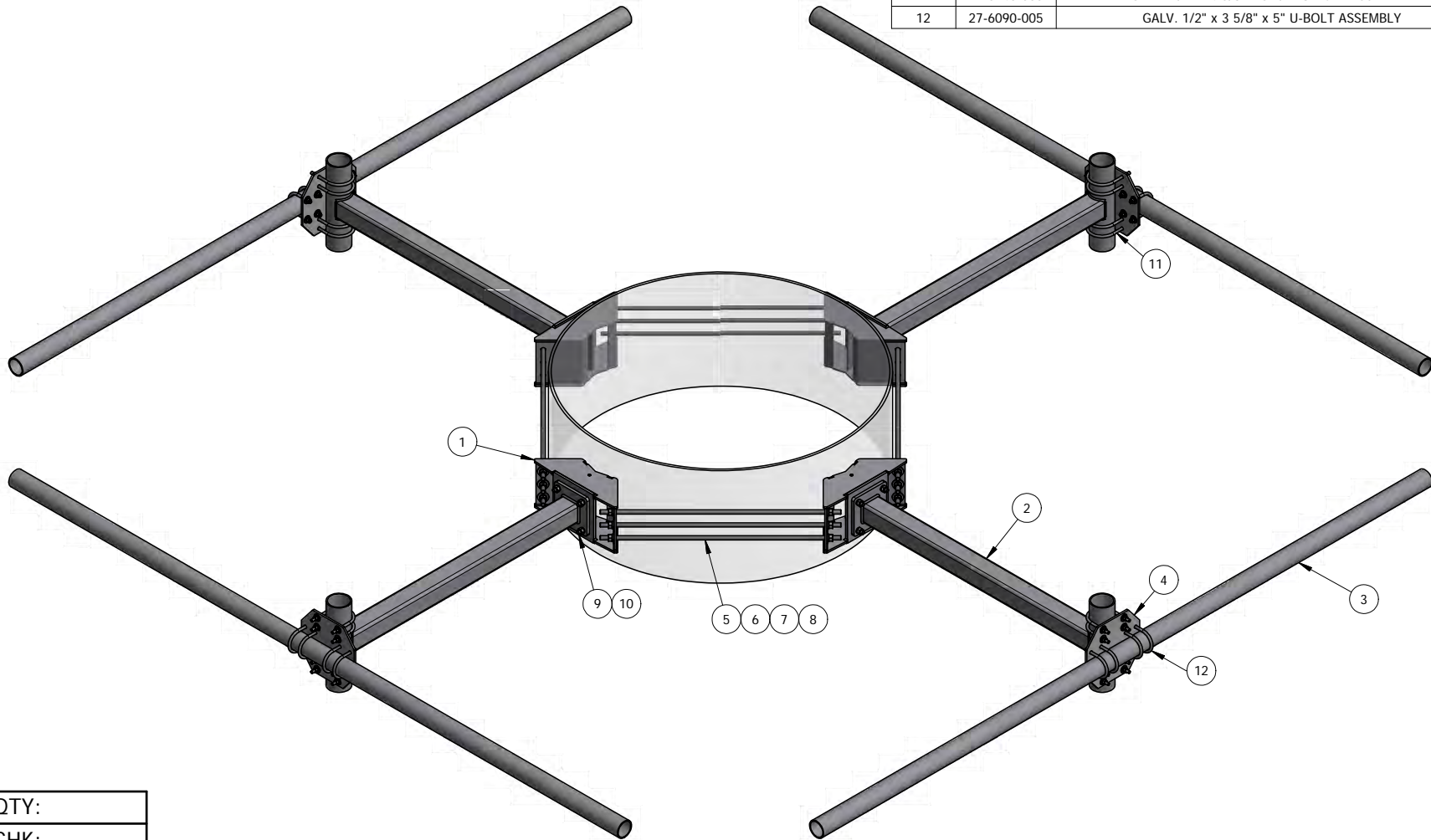


| ITEM | PART # | DESCRIPTION | QTY | UNIT WT |
|------|--------------|--|-----|---------|
| 1 | MF1060-4.01 | HEAVY DUTY 4-SECTOR 10" TO 60" O.D RING MOUNT WELDMNT | 4 | 54.90 |
| 2 | M3015-60.01 | SINGLE SUPPORT ARM 60" STAND OFF WELDMNT | 4 | 82.40 |
| 3 | P35-150 | GALV. 3" STD PIPE @ 12'-6" LONG | 4 | 94.80 |
| 4 | AM1016-XP.01 | CROSS OVER (STOP SIGN) PLATE FOR 4-1/2" TO 3-1/2" O.D PIPE | 4 | 15.42 |
| 5 | 27-5588-005 | GALV. 3/4" B7 ALL THREAD @ 42" LONG | 12 | 5.25 |
| 6 | 27-5481-005 | GALV. 3/4" FLAT WASHER | 24 | 0.09 |
| 7 | 27-5490-005 | GALV. 3/4" LOCK WASHER | 24 | 0.05 |
| 8 | 27-5501-005 | GALV. 3/4" HEX NUT REGULAR | 24 | 0.14 |
| 9 | 27-5450-005 | GALV. 5/8" x 2-1/2" A325 BOLT ASSEMBLY | 16 | 0.33 |
| 10 | 27-5370-005 | GALV. 5/8" FLAT WASHER | 16 | 0.07 |
| 11 | 27-6140-005 | GALV. 1/2" x 4 5/8" x 6 1/2" U-BOLT ASSEMBLY | 16 | 1.11 |
| 12 | 27-6090-005 | GALV. 1/2" x 3 5/8" x 5" U-BOLT ASSEMBLY | 16 | 0.91 |



QTY:
CHK:

STANDARD TOLERANCES:
(UNLESS OTHERWISE NOTED)
FRACTIONS ± 1/16"
DECIMALS ± .005"
ANGLES ± .5°

THIS DESIGN AND INFORMATION CONTAINED ON THIS PRINT IS THE PROPERTY OF NEWAVE TOWER COMPONENTS LLC. ANY REPRODUCTION, DUPLICATION OR TRANSFER OF THE PROPRIETARY CONTENT IS PROHIBITED WITHOUT WRITTEN PERMISSION.

NEWAVE
Tower Components. 503-792-3739
10910 PORTLAND RD. BROOKS, OR 97305

MATERIAL: AS SHOWN
HOLES: AS SHOWN
FINISH: HDG
DRAWN BY: JG
CHECKED BY: KY
DATE: 12/24/2013

TITLE: 4-SECTOR CO-LOCATION T-ARM FRAME
60" STAND OFF W/ 12'-6" FRACE
SERIES: MONOPOLE MOUNTING
PART WT (BARE): 1101.2 LB
DRAWING NO. MRCK4-12-60
SHEET: 1 OF 1