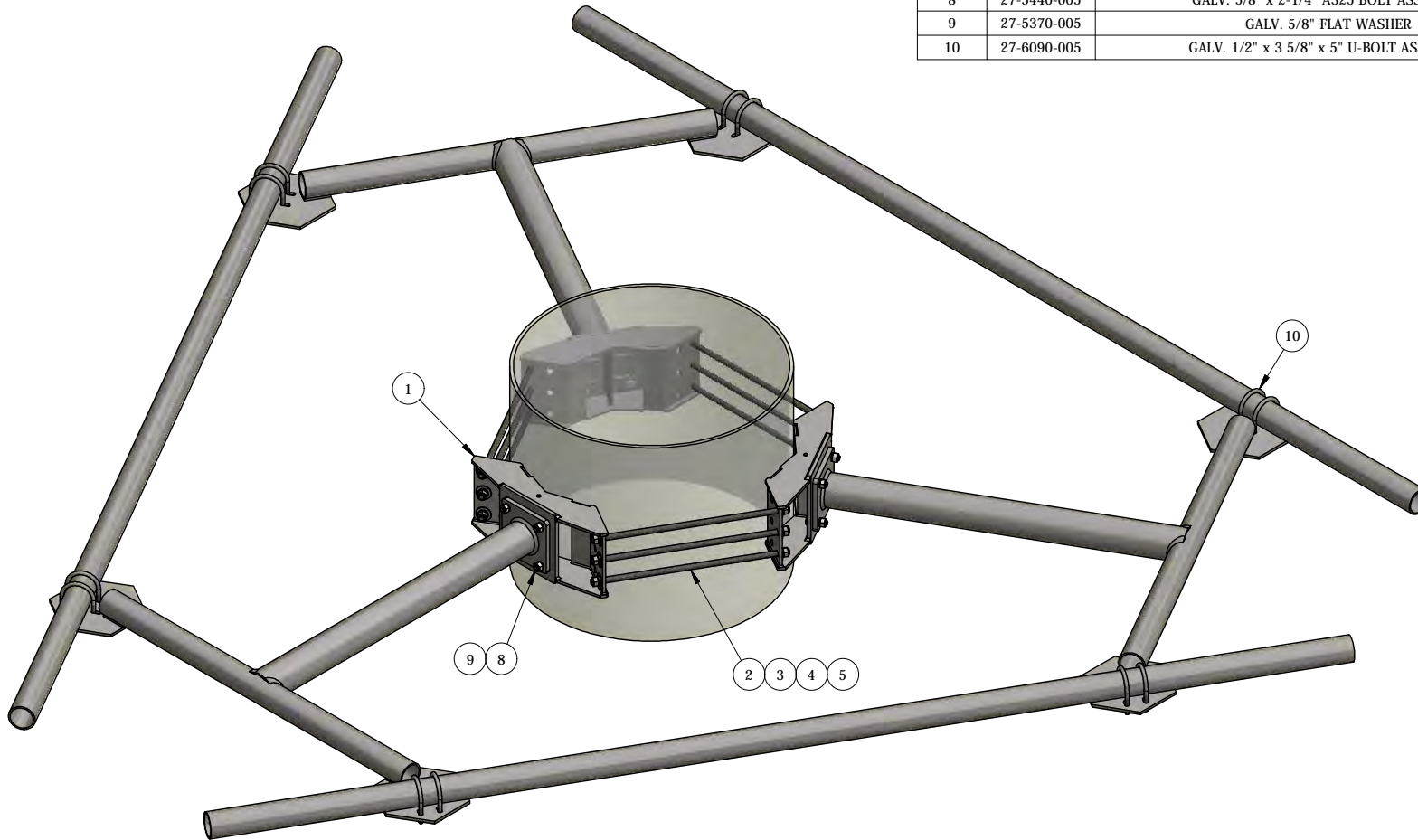


ITEM	PART #	DESCRIPTION	QTY	UNIT WT
1	MF1236-3.01	UNIVERSAL 12" TO 36" RING MOUNT WELDMENT	3	49.92
2	27-5580-005	GALV. 3/4" B7 ALL THREAD @ 26" LONG	9	3.26
3	27-5481-005	GALV. 3/4" FLAT WASHER	18	0.09
4	27-5490-005	GALV. 3/4" LOCK WASHER	18	0.05
5	27-5501-005	GALV. 3/4" HEX NUT REGULAR	18	0.14
6	M3014-48	48" T-PIPE STANDOFF	3	109.09
7	P35-150	GALV. 3" STD PIPE @ 12'-6" LONG	3	94.80
8	27-5440-005	GALV. 5/8" x 2-1/4" A325 BOLT ASSEMBLY	12	0.31
9	27-5370-005	GALV. 5/8" FLAT WASHER	12	0.08
10	27-6090-005	GALV. 1/2" x 3 5/8" x 5" U-BOLT ASSEMBLY	12	0.91



QTY:
CHK:

STANDARD TOLERANCES:
(UNLESS OTHERWISE NOTED)

FRACTIONS - 1/16"
1 DECIMAL - .1"
2 DECIMAL - .03"
3 DECIMAL - .005"
ANGLES - .5°

THIS DESIGN AND INFORMATION CONTAINED ON THIS PRINT IS THE PROPERTY OF NEWAVE TOWER COMPONENTS LLC. ANY REPRODUCTION, DUPLICATION OR TRANSFER OF THE PROPRIETARY CONTENT IS PROHIBITED WITHOUT WRITTEN PERMISSION.

NEWAVE
 Tower Components. 503-792-3739
 10910 PORTLAND RD. BROOKS, OR 97305

MATERIAL: AS SHOWN
 GRADE: AS SHOWN
 FINISH: HDG
 DRAWN BY: JG
 CHECKED BY: CJW

TITLE: 3-SECTOR, 48" T-PIPE STANDOFF WITH 12' FACE
 SERIES: MONOPOLE MOUNTING
 DATE: 12/8/2014
 PART WT (BARE): 813.2 LB
 DRAWING NO. MRCT3-36-12