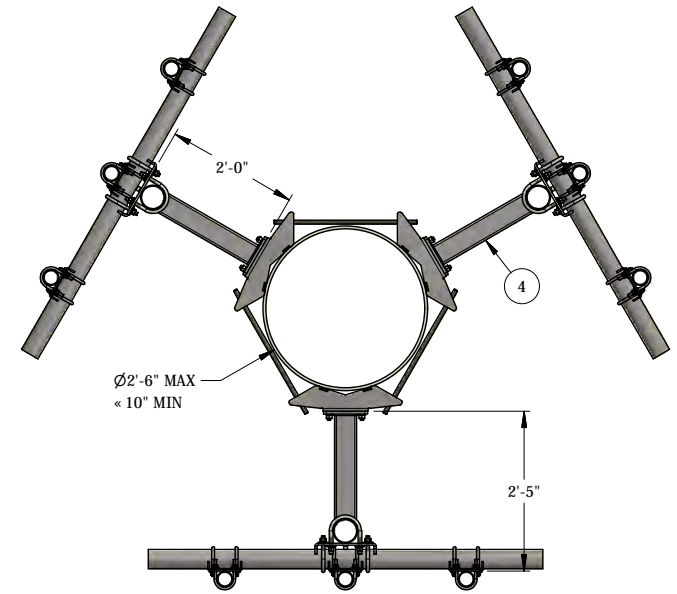


ITEM	PART #	DESCRIPTION	QTY	UNIT WT
1	AM1015-XP.01	CELLULAR FACE MOUNT FOR 3-1/2" TO 4-1/2" CROSS OVER	3	15.61
2	CXCP1	2-3/8" TO 3-1/2" CROSS OVER BENT CHANNEL	9	4.66
3	M1030-3.01	UNIVERSAL 10" TO 30" O.D RING MOUNT WELDMENT	3	32.06
4	M3015-24.01	SINGLE SUPPORT ARM 24" STAND OFF WELDMENT	3	39.28
5	P278-96	GALV. 2-1/2" STANDARD PIPE @ 8' LONG	9	46.39
6	P35-72	GALV. 3" STD PIPE 6'-0" LONG	3	45.50
7	27-5580-005	GALV. 3/4" B7 ALL THREAD @ 26" LONG	6	3.26
8	27-5490-005	GALV. 3/4" LOCK WASHER	12	0.05
9	27-5481-005	GALV. 3/4" FLAT WASHER	12	0.09
10	27-5501-005	GALV. 3/4" HEX NUT REGULAR	12	0.14
11	27-5440-005	GALV. 5/8" x 2-1/4" A325 BOLT ASSEMBLY	12	0.31
12	27-5370-005	GALV. 5/8" FLAT WASHER	12	0.08
13	27-6200-005	GALV. 5/8" x 3-5/8" x 6" U-BOLT ASSEMBLY	6	1.66
14	27-6230-005	GALV. 5/8" x 4-5/8" x 6-1/2" U-BOLT ASSEMBLY	6	1.80
15	27-6090-005	GALV. 1/2" x 3 5/8" x 5" U-BOLT ASSEMBLY	18	0.91
16	27-6080-005	GALV. 1/2" x 3" x 5" GR-5 U-BOLT ASSEMBLY	18	0.89



TOP VIEW

QTY:
CHK:

STANDARD TOLERANCES:
(UNLESS OTHERWISE NOTED)

FRACTIONS	- 1/16"
1 DECIMAL	- .1"
2 DECIMAL	- .03"
3 DECIMAL	- .005"
ANGLES	- .5°

THIS DESIGN AND INFORMATION CONTAINED ON THIS PRINT IS THE PROPERTY OF NEWAVE TOWER COMPONENTS LLC. ANY REPRODUCTION, DUPLICATION OR TRANSFER OF THE PROPRIETARY CONTENT IS PROHIBITED WITHOUT WRITTEN PERMISSION.

NEWAVE
 Tower Components. 503-792-3739
 10910 PORTLAND RD. BROOKS, OR 97305

MATERIAL: AS SHOWN
 GRADE: DRAWN BY: KY
 FINISH: HDG CHECKED BY: -

TITLE: 3-SECTOR MONPOLE T-ARM FRAME W/ 24" STAND OFF & 2-7/8" O.D PIPE
 SERIES: MONOPOLE MOUNTING
 DATE: 2/7/2014 PART WT (BARE): 906.8 LB DRAWING NO. MTF3-2472-3-25-96