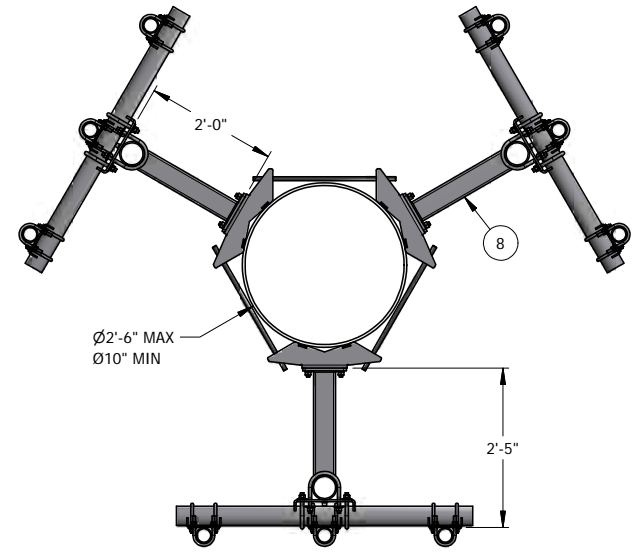


ITEM	PART #	DESCRIPTION	QTY	UNIT WT
1	M1030-3.01	UNIVERSAL 10" TO 30" O.D RING MOUNT WELDMENT	3	32.10
2	27-5580-005	GALV. 3/4" B7 ALL THREAD @ 26" LONG	6	3.25
3	27-5490-005	GALV. 3/4" LOCK WASHER	12	0.05
4	27-5481-005	GALV. 3/4" FLAT WASHER	12	0.09
5	27-5501-005	GALV. 3/4" HEX NUT REGULAR	12	0.14
6	27-5440-005	GALV. 5/8" x 2-1/4" A325 BOLT ASSEMBLY	12	0.31
7	27-5370-005	GALV. 5/8" FLAT WASHER	12	0.07
8	M3015-24.01	SINGLE SUPPORT ARM 24" STAND OFF WELDMENT	3	39.33
9	AM1015-XP.01	CELLULAR FACE MOUNT FOR 3-1/2" TO 4-1/2" CROSS OVER	3	15.63
10	27-6200-005	GALV. 5/8" x 3-5/8" x 6" U-BOLT ASSEMBLY	6	1.66
11	27-6230-005	GALV. 5/8" x 4-5/8" x 6-1/2" U-BOLT ASSEMBLY	6	1.89
12	P35-54	GALV. 3" STD PIPE 4'-6" LONG	3	34.13
13	CXCP1	2-3/8" TO 3-1/2" CROSS OVER BENT CHANNEL	9	4.67
14	P278-96	GALV. 2-1/2" STANDARD PIPE @ 8' LONG	9	46.45
15	27-6090-005	GALV. 1/2" x 3 5/8" x 5" U-BOLT ASSEMBLY	18	0.91
16	27-6080-005	GALV. 1/2" x 3" x 5" U-BOLT ASSEMBLY	18	0.89



TOP VIEW

QTY:
CHK:

STANDARD TOLERANCES:
(UNLESS OTHERWISE NOTED)
FRACTIONS ± 1/16"
DECIMALS ± .005"
ANGLES ± .5°

THIS DESIGN AND INFORMATION CONTAINED ON THIS PRINT IS THE PROPERTY OF NEWAVE TOWER COMPONENTS LLC. ANY REPRODUCTION, DUPLICATION OR TRANSFER OF THE PROPRIETARY CONTENT IS PROHIBITED WITHOUT WRITTEN PERMISSION.

NEWAVE
 TOWER COMPONENTS 503-792-3739
 10910 PORTLAND RD. BROOKS, OR 97305

MATERIAL: AS SHOWN
HOLES: AS SHOWN
FINISH: HDG

DRAWN BY: KY
CHECKED BY:
DATE: 2/7/2014

TITLE: 3-SECTOR MONOPOLE T-ARM FRAME W/ 24" STAND OFF & 2-7/8" O.D PIPE

SERIES: MONOPOLE MOUNTING

PART WT (BARE): 906.8 LB
DRAWING NO. MTF3-24825
SHEET: 1 OF 1