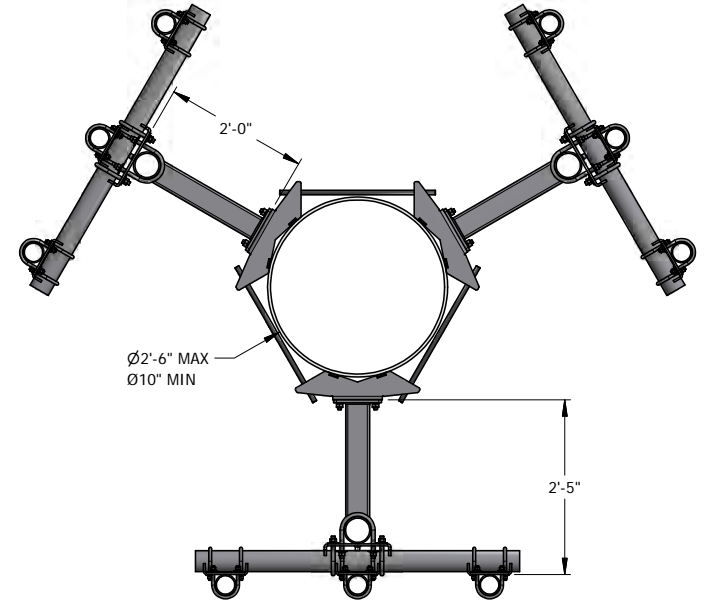
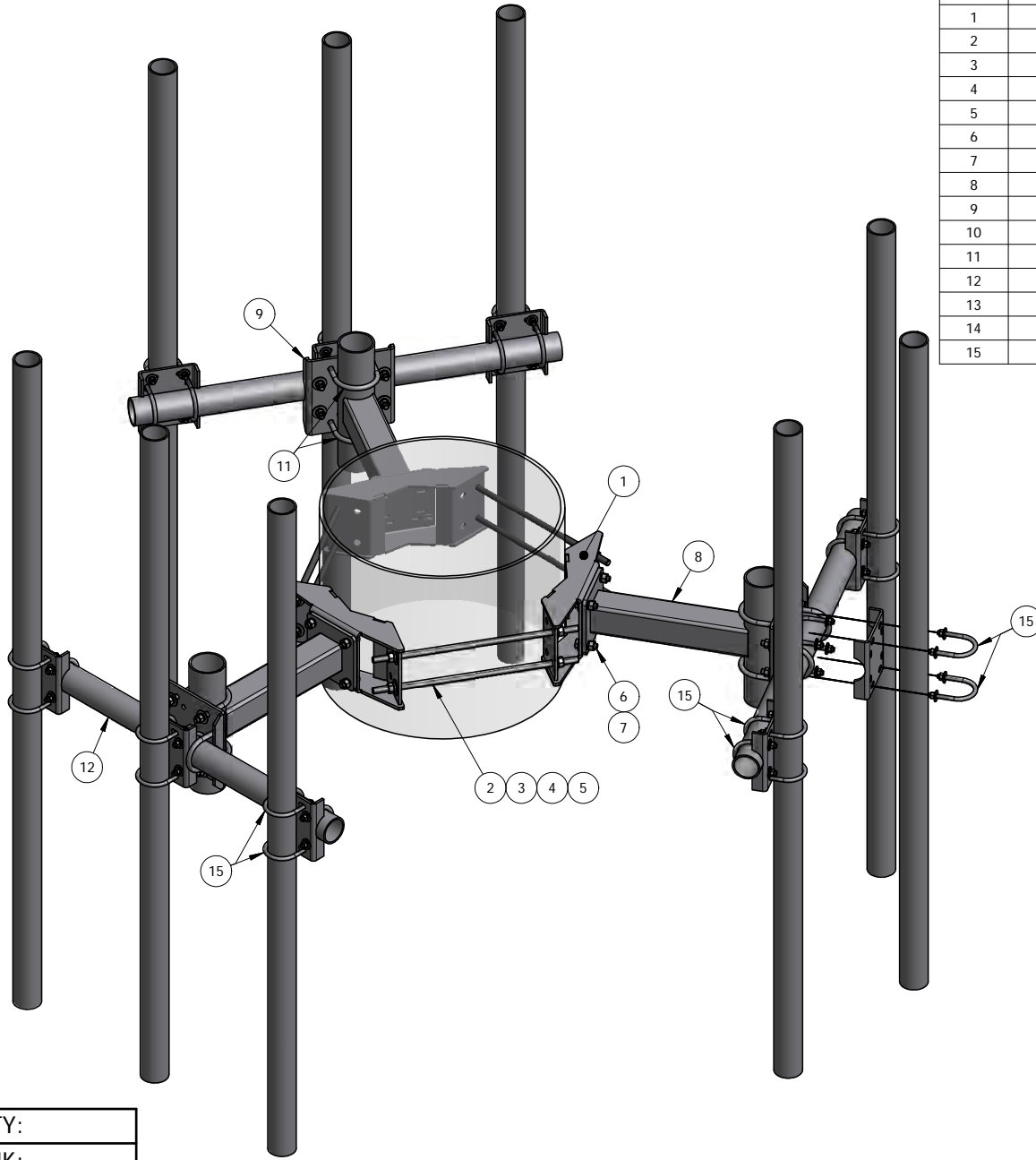


ITEM	PART #	DESCRIPTION	QTY	UNIT WT
1	M1030-3.01	UNIVERSAL 10" TO 30" O.D RING MOUNT WELDMENT	3	32.10
2	27-5580-005	GALV. 3/4" B7 ALL THREAD @ 26" LONG	6	3.25
3	27-5490-005	GALV. 3/4" LOCK WASHER	12	0.05
4	27-5481-005	GALV. 3/4" FLAT WASHER	12	0.09
5	27-5501-005	GALV. 3/4" HEX NUT REGULAR	12	0.14
6	27-5440-005	GALV. 5/8" x 2-1/4" A325 BOLT ASSEMBLY	12	0.31
7	27-5370-005	GALV. 5/8" FLAT WASHER	12	0.07
8	M3015-24.01	SINGLE SUPPORT ARM 24" STAND OFF WELDMENT	3	39.33
9	AM1015-XP.01	CELLULAR FACE MOUNT FOR 3-1/2" TO 4-1/2" CROSS OVER	3	15.63
10	27-6200-005	GALV. 5/8" x 3-5/8" x 6" U-BOLT ASSEMBLY	6	1.66
11	27-6230-005	GALV. 5/8" x 4-5/8" x 6-1/2" U-BOLT ASSEMBLY	6	1.89
12	P35-54	GALV. 3" STD PIPE 4'-6" LONG	3	34.13
13	CXCP2	2-3/8" TO 3-1/2" CROSS OVER BENT CHANNEL	9	6.58
14	P35-96	GALV. 3" STD PIPE @ 8' LONG	9	60.75
15	27-6090-005	GALV. 1/2" x 3 5/8" x 5" U-BOLT ASSEMBLY	36	0.91



TOP VIEW

QTY:  
CHK:

**STANDARD TOLERANCES:**  
(UNLESS OTHERWISE NOTED)  
FRACTIONS ± 1/16"  
DECIMALS ± .005"  
ANGLES ± .5°

THIS DESIGN AND INFORMATION CONTAINED ON THIS PRINT IS THE PROPERTY OF NEWAVE TOWER COMPONENTS LLC. ANY REPRODUCTION, DUPLICATION OR TRANSFER OF THE PROPRIETARY CONTENT IS PROHIBITED WITHOUT WRITTEN PERMISSION.

  
**NEWAVE**  
 TOWER COMPONENTS 503-792-3739  
 10910 PORTLAND RD. BROOKS, OR 97305

MATERIAL: AS SHOWN  
 HOLES: AS SHOWN  
 FINISH: HDG

DRAWN BY: KY  
 CHECKED BY:  
 DATE: 2/10/2014

TITLE: 3-SECTOR MONOPOLE T-ARM FRAME W/ 24" STAND OFF & 3-1/2" O.D PIPE

SERIES: MONOPOLE MOUNTING

PART WT (BARE): 1053.0 LB  
 DRAWING NO. MTF3-2483  
 SHEET: 1 OF 1