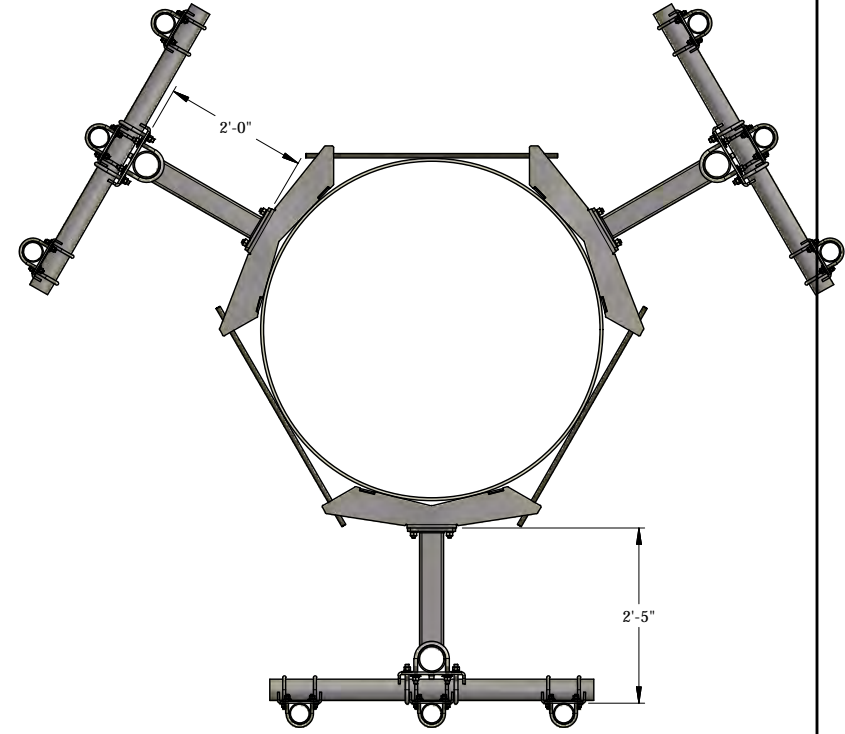


ITEM	PART #	DESCRIPTION	QTY	UNIT WT
1	M3060-3.01	UNIVERSAL 30" TO 57" O.D RING MOUNT WELDMENT	3	56.93
2	M3015-24.01	SINGLE SUPPORT ARM 24" STAND OFF WELDMENT	3	39.28
3	AM1015-XP.01	CELLULAR FACE MOUNT FOR 3-1/2" TO 4-1/2" CROSS OVER	3	15.61
4	CXCP2	2-3/8" TO 3-1/2" CROSS OVER BENT CHANNEL	9	6.57
5	P35-54	GALV. 3" STD PIPE 4'-6" LONG	3	34.13
6	P35-96	GALV. 3" STD PIPE @ 8' LONG	9	60.67
7	27-6230-005	GALV. 5/8" x 4-5/8" x 6-1/2" U-BOLT ASSEMBLY	6	1.80
8	27-6200-005	GALV. 5/8" x 3-5/8" x 6" U-BOLT ASSEMBLY	6	1.66
9	27-6090-005	GALV. 1/2" x 3 5/8" x 5" U-BOLT ASSEMBLY	36	0.91
10	27-5588-005	GALV. 3/4" B7 ALL THREAD @ 42" LONG	6	5.26
11	27-5501-005	GALV. 3/4" HEX NUT REGULAR	12	0.14
12	27-5490-005	GALV. 3/4" LOCK WASHER	12	0.05
13	27-5481-005	GALV. 3/4" FLAT WASHER	12	0.09
14	27-5440-005	GALV. 5/8" x 2-1/4" A325 BOLT ASSEMBLY	12	0.31
15	27-5370-005	GALV. 5/8" FLAT WASHER	12	0.08



QTY:  
CHK:

**STANDARD TOLERANCES:**  
(UNLESS OTHERWISE NOTED)

FRACTIONS	- 1/16"
1 DECIMAL	- .1"
2 DECIMAL	- .03"
3 DECIMAL	- .005"
ANGLES	- .5°

THIS DESIGN AND INFORMATION CONTAINED ON THIS PRINT IS THE PROPERTY OF NEWAVE TOWER COMPONENTS LLC. ANY REPRODUCTION, DUPLICATION OR TRANSFER OF THE PROPRIETARY CONTENT IS PROHIBITED WITHOUT WRITTEN PERMISSION.

**NEWAVE**  
 Tower Components, 503-792-3739  
 10910 PORTLAND RD. BROOKS, OR 97305

MATERIAL: AS SHOWN	
GRADE:	DRAWN BY: CJW
FINISH: HDG	CHECKED BY: -

TITLE: 3-SECTOR M3060 MONOPOLE T-ARM FRAME W/ 24" STAND OFF & 3-1/2" O.D PIPE		
SERIES: MONOPOLE MOUNTING		
DATE: 2/10/2014	PART WT (BARE): 1053.0 LB	DRAWING NO. MTF32-2483