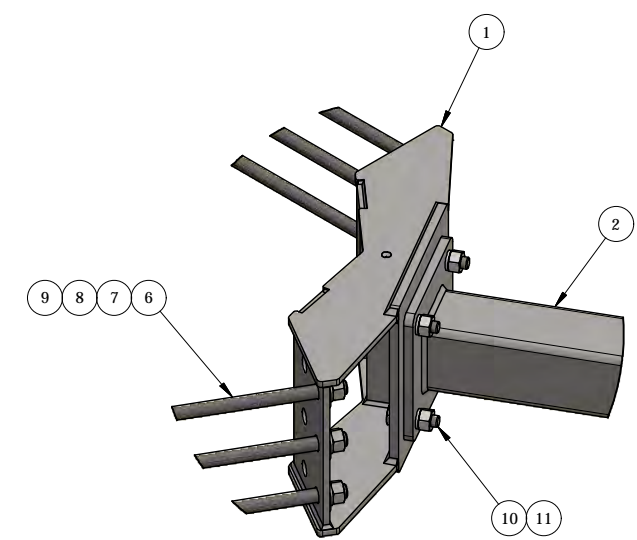
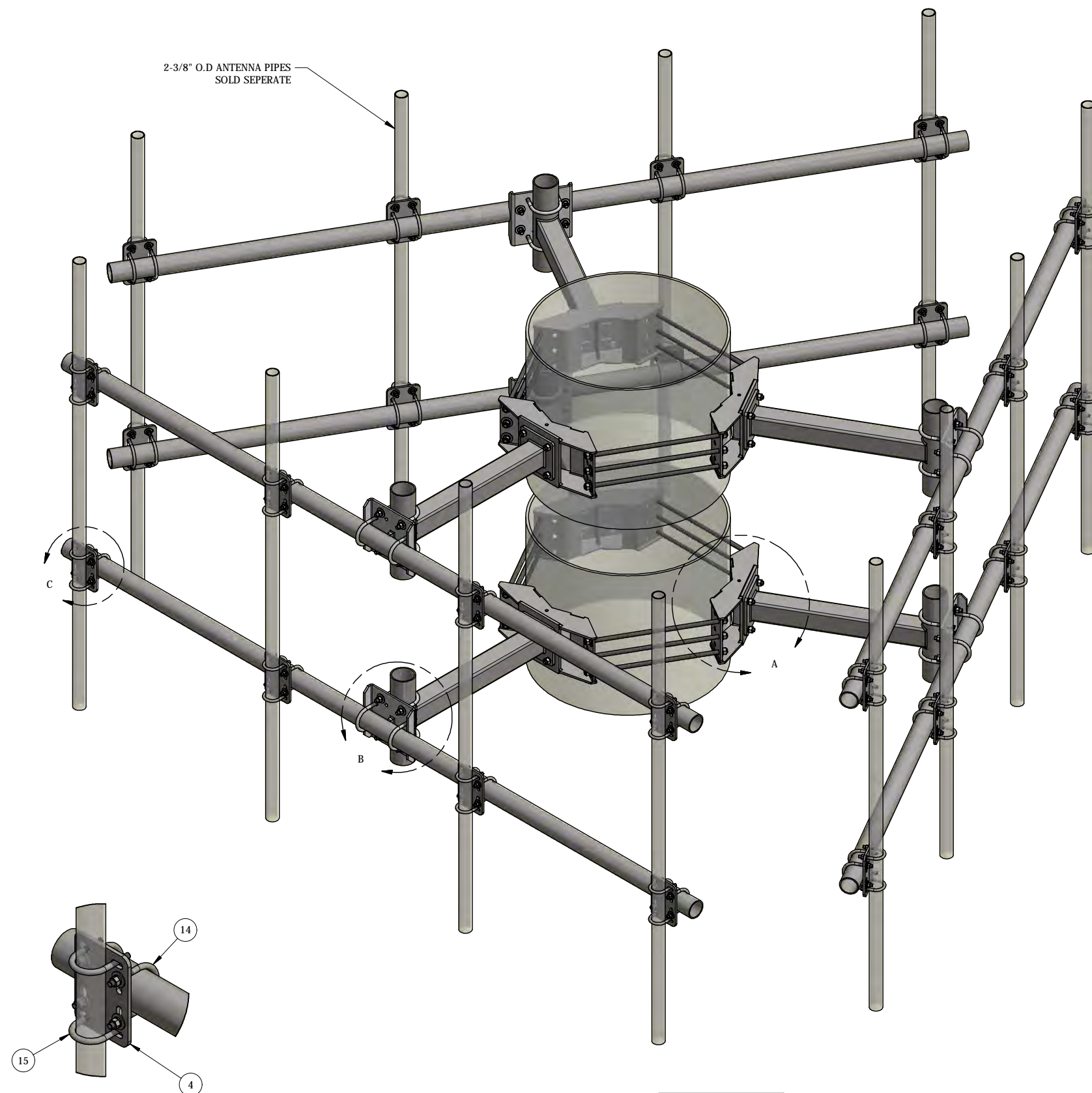
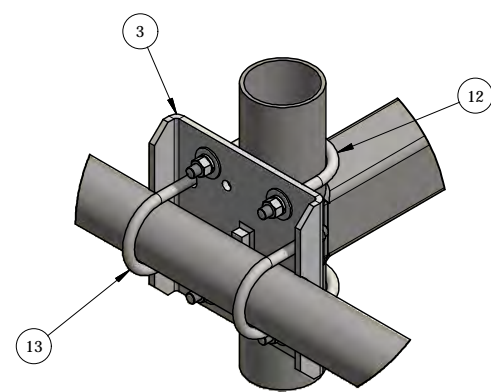


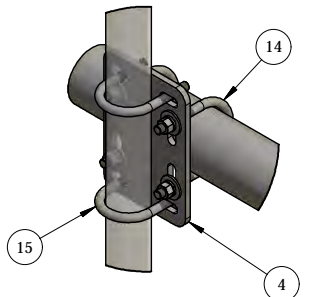
ITEM	PART #	DESCRIPTION	QTY	UNIT WT
1	MF1236-3.01	UNIVERSAL 12" TO 36" RING MOUNT WELDMENT	6	49.92
2	M3015-36.01	SINGLE SUPPORT ARM 36" STAND OFF WELDMENT	6	48.70
3	AM1015-XP.01	CELLULAR FACE MOUNT FOR 3-1/2" TO 4-1/2" CROSS OVER	6	15.61
4	CXP1	CROSS OVER PLATE 2-3/8" TO 3-1/2" O.D PIPE (3/8" PLATE)	24	4.81
5	P35-156	GALV. 3" STD PIPE @ 13'-0" LONG	6	98.59
6	27-5580-005	3/4" x 26" B7 HDG ALL-THREAD	18	3.26
7	27-5481-005	3/4" A36 HDG FLAT WASHER	36	0.09
8	27-5490-005	3/4" HDG LOCK WASHER	36	0.05
9	27-5501-005	3/4" HDG HEX NUT	36	0.14
10	27-5440-005	GALV. 5/8" x 2-1/4" A325 BOLT ASSEMBLY	24	0.31
11	27-5370-005	5/8" A36 HDG FLAT WASHER	24	0.08
12	27-6230-005	GALV. 5/8" x 4-5/8" x 6-1/2" U-BOLT ASSEMBLY	12	1.80
13	27-6200-005	GALV. 5/8" x 3-5/8" x 6" U-BOLT ASSEMBLY	12	1.66
14	27-6090-005	GALV. 1/2" x 3 5/8" x 5" U-BOLT ASSEMBLY	48	0.91
15	27-6060-005	GALV. 1/2" x 2-1/2" x 4" GR-5 U-BOLT ASSEMBLY	48	0.76



DETAIL - A



DETAIL - B



DETAIL - C

QTY:
CHK:

STANDARD TOLERANCES:
(UNLESS OTHERWISE NOTED)

FRACTIONS	- 1/16"
1 DECIMAL	- .1"
2 DECIMAL	- .03"
3 DECIMAL	- .005"
ANGLES	- .5°

THIS DESIGN AND INFORMATION CONTAINED ON THIS PRINT IS THE PROPERTY OF NEWAVE TOWER COMPONENTS LLC. ANY REPRODUCTION, DUPLICATION OR TRANSFER OF THE PROPRIETARY CONTENT IS PROHIBITED WITHOUT WRITTEN PERMISSION.

NEWAVE
Tower Components, 503-792-3739
10910 PORTLAND RD. BROOKS, OR 97305

MATERIAL:	AS SHOWN
GRADE:	AS SHOWN
FINISH:	HDG

TITLE:	3-SECTOR MONOPOLE T-ARM, DBL FRAME 36" STND-OFF, FITS 12" TO 36" O.D POLE		
SERIES:	MONOPOLE MOUNTING		
DATE:	CHECKED BY:	PART WT (BARE):	DRAWING NO.
4/26/2018	-	1596.15 LB	MTF3D-313-36