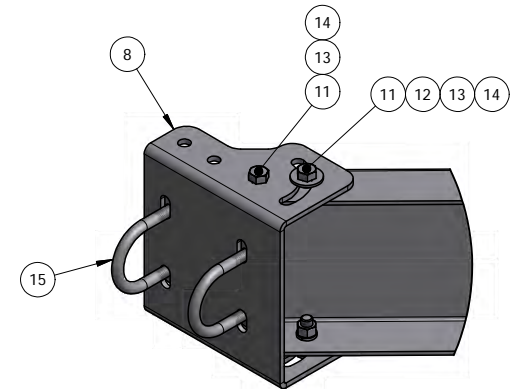
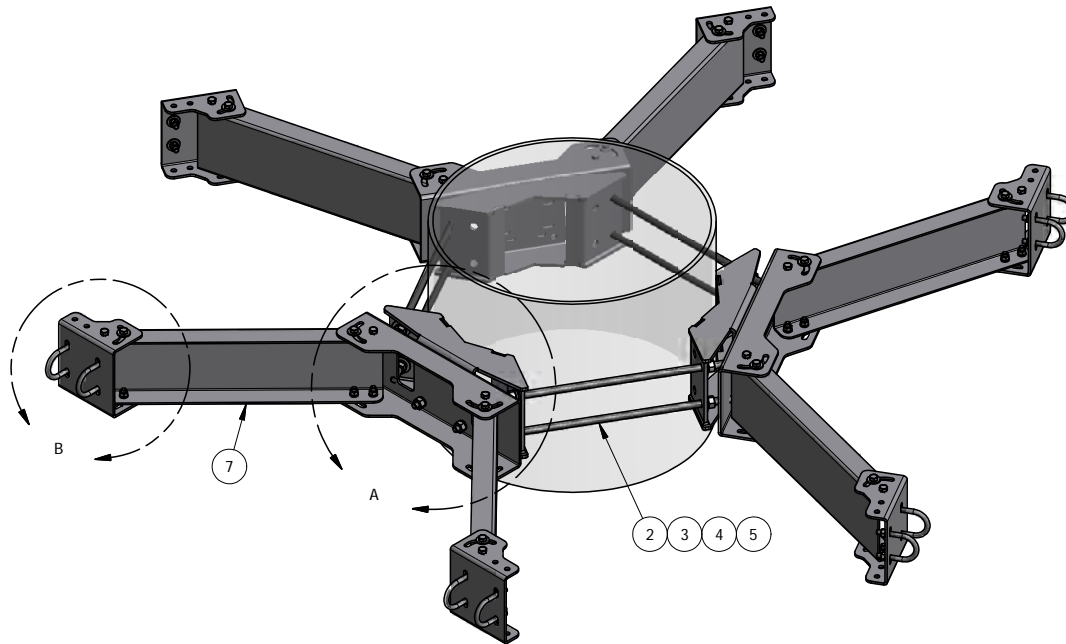


DETAIL A



DETAIL B

ITEM	PART #	DESCRIPTION	QTY	UNIT WT
1	M1030-3.01	UNIVERSAL 10" TO 30" O.D RING MOUNT WELDMENT	3	32.10
2	27-5580-005	GALV. 3/4" B7 ALL THREAD @ 26" LONG	6	3.25
3	27-5490-005	GALV. 3/4" LOCK WASHER	12	0.05
4	27-5481-005	GALV. 3/4" FLAT WASHER	12	0.09
5	27-5501-005	GALV. 3/4" HEX NUT REGULAR	12	0.14
6	MTR304.01	MONOPOLE REINFORCEMENT MOUNT CHANNEL	3	23.12
7	MTR302.01	2' REINFORCEMENT BENT SUPPORT ARM PLATE	6	19.51
8	MTR304.03	REINFORCEMENT BENT FACE CHANNEL PLATE	6	8.05
9	27-5430-005	GALV. 5/8" x 2" A325 BOLT ASSEMBLY	4	0.29
10	27-5370-005	GALV. 5/8" FLAT WASHER	4	0.07
11	27-4301-005	GALV. 1/2" x 1-1/2" GR.5 BOLT	48	0.13
12	27-5200-005	GALV. 1/2" FLAT WASHER	24	0.04
13	27-5210-005	GALV. 1/2" LOCK WASHER	48	0.01
14	27-5222-005	GALV. 1/2" HEX NUT	48	0.04
15	27-6060-005	GALV. 1/2" x 2-1/2" x 4" U-BOLT ASSEMBLY	12	0.77

QTY:
CHK:

STANDARD TOLERANCES:
(UNLESS OTHERWISE NOTED)
FRACTIONS ±1/16"
DECIMALS ±.005"
ANGLES ±.5°

THIS DESIGN AND INFORMATION CONTAINED ON THIS PRINT IS THE PROPERTY OF NEWAVE TOWER COMPONENTS LLC. ANY REPRODUCTION, DUPLICATION OR TRANSFER OF THE PROPRIETARY CONTENT IS PROHIBITED WITHOUT WRITTEN PERMISSION.



MATERIAL: AS SHOWN
HOLES: AS SHOWN
FINISH: HDG
DRAWN BY: JG
CHECKED BY: CW
DATE: 3/28/2014

TITLE: 2' T-ARM REINFORCEMENT BASE KIT FITS 10" TO 30" O.D POLE
SERIES: MONOPOLE MOUNTING
PART WT (BARE): 375.4 LB
DRAWING NO. MTR302-B
SHEET: 1 OF 1