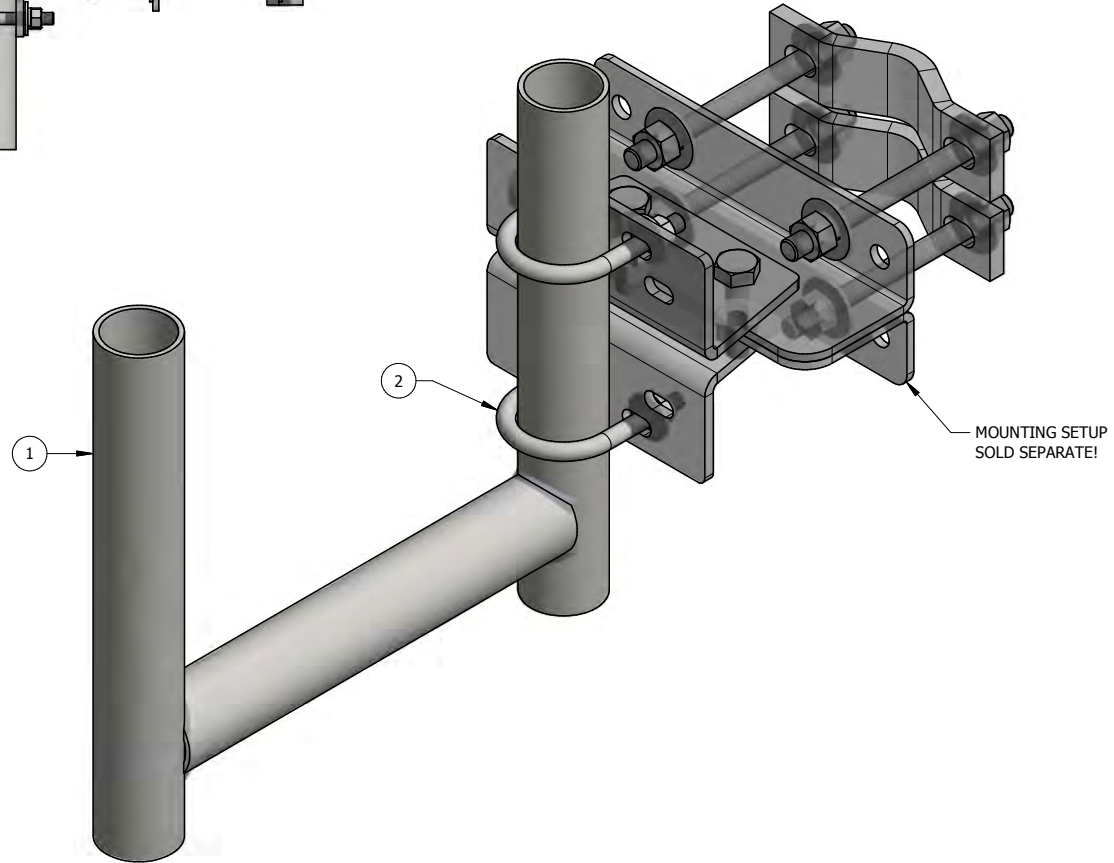
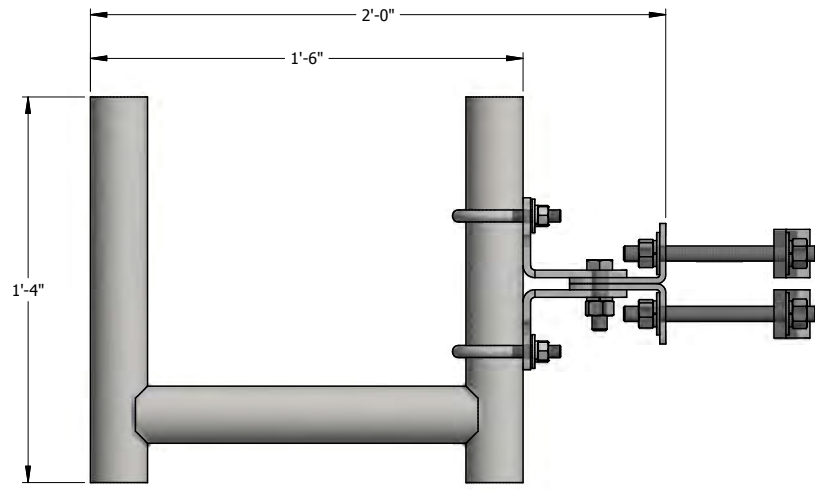


| ITEM | PART # | DESCRIPTION | QTY | MASS |
|------|-------------|---|-----|-------|
| 1 | P2GPS-24.01 | GPS PIPE STAND-OFF WELDMENT | 1 | 13.97 |
| 2 | 27-6060-005 | GALV. 1/2" x 2-1/2" x 4" GR-5 U-BOLT ASSEMBLY | 2 | 0.76 |



QTY:
CHK:

STANDARD TOLERANCES:

(UNLESS OTHERWISE NOTED)
 FRACTIONS ±1/16"
 DECIMALS ±.005"
 ANGLES ±.5°

THIS DESIGN AND INFORMATION CONTAINED ON THIS PRINT IS THE PROPERTY OF NEWAVE TOWER COMPONENTS LLC. ANY REPRODUCTION, DUPLICATION OR TRANSFER OF THE PROPRIETARY CONTENT IS PROHIBITED WITHOUT WRITTEN PERMISSION.

NEWAVE
 TOWER COMPONENTS. 503-792-3739
 10910 PORTLAND RD. BROOKS, OR 97305

| | |
|-----------------------|-------------------|
| MATERIAL: AS SHOWN | DRAWN BY: KY |
| HOLES: AS SHOWN | CHECKED BY: |
| FINISH: HDG | DATE: 1/7/2013 |

| | | |
|---|-------------------------|------------------|
| TITLE: UNIVERSAL GPS MOUNT 24" STAND-OFF FROM TOWER | | |
| SERIES: TOWER ANTENNA MOUNTING | | |
| PART WT (BARE): 15.5 LB | DRAWING NO. P2GPS-24 | SHEET: 1 OF 1 |