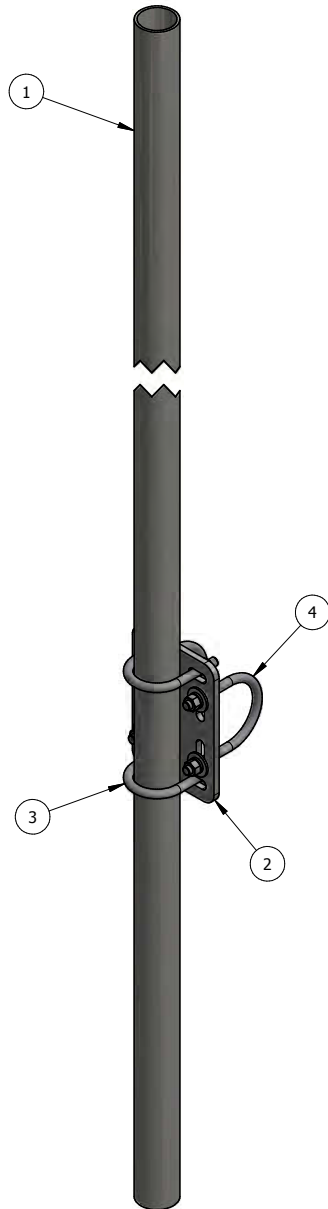


ITEM	PART #	DESCRIPTION	QTY	UNIT WT
1	P23-120	GALV. 2" STD PIPE @ 10' LONG	1	36.57
2	CXP1	CROSS OVER PLATE 2-3/8" TO 3-1/2" O.D PIPE (3/8" PLATE)	1	4.81
3	27-6060-005	GALV. 1/2" x 2-1/2" x 4" GR-5 U-BOLT ASSEMBLY	2	0.76
4	27-6090-005	GALV. 1/2" x 3 5/8" x 5" U-BOLT ASSEMBLY	2	0.91



QTY:
CHK:

STANDARD TOLERANCES:
(UNLESS OTHERWISE NOTED)
FRACTIONS ±1/16"
DECIMALS ±.005"
ANGLES ±.5°

THIS DESIGN AND INFORMATION CONTAINED ON THIS PRINT IS THE PROPERTY OF NEWAVE TOWER COMPONENTS LLC. ANY REPRODUCTION, DUPLICATION OR TRANSFER OF THE PROPRIETARY CONTENT IS PROHIBITED WITHOUT WRITTEN PERMISSION.


NEWAVE
 TOWER COMPONENTS. 503-792-3739
 10910 PORTLAND RD. BROOKS, OR 97305

MATERIAL: AS SHOWN
 HOLES: NONE
 FINISH: HDG

DRAWN BY: KY
 CHECKED BY: -
 DATE: 8/17/2016

TITLE: 2-3/8" O.D x 10'-0" PIPE MOUNT KIT MOUNTS TO 3-1/2" O.D PIPE

SERIES: TOWER ANTENNA MOUNTS

PART WT (BARE): 44.7 LB	DRAWING NO. PMK23-120	SHEET: 1 OF 1
-------------------------	-----------------------	---------------