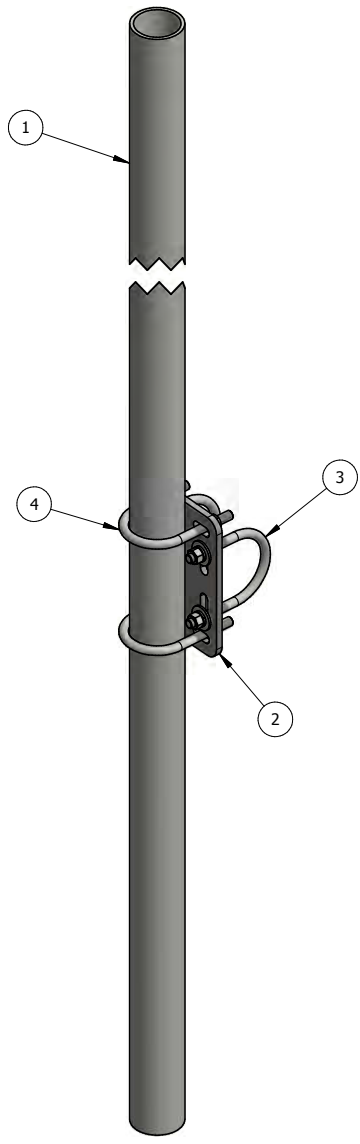


ITEM	PART #	DESCRIPTION	QTY	UNIT WT
1	P278-96	GALV. 2-1/2" STANDARD PIPE @ 8' LONG	1	46.39
2	CXP1	CROSS OVER PLATE 2-3/8" TO 3-1/2" O.D PIPE (3/8" PLATE)	1	4.81
3	27-6090-005	GALV. 1/2" x 3 5/8" x 5" U-BOLT ASSEMBLY	2	0.91
4	27-6080-005	GALV. 1/2" x 3" x 5" GR-5 U-BOLT ASSEMBLY	2	0.89



QTY:
CHK:

STANDARD TOLERANCES:
(UNLESS OTHERWISE NOTED)
FRACTIONS ±1/16"
DECIMALS ±.005"
ANGLES ±.5°

THIS DESIGN AND INFORMATION CONTAINED ON THIS PRINT IS THE PROPERTY OF NEWAVE TOWER COMPONENTS LLC. ANY REPRODUCTION, DUPLICATION OR TRANSFER OF THE PROPRIETARY CONTENT IS PROHIBITED WITHOUT WRITTEN PERMISSION.

NEWAVE
Tower Components. 503-792-3739
10910 PORTLAND RD. BROOKS, OR 97305

MATERIAL: AS SHOWN
HOLES: AS SHOWN
FINISH: HDG

DRAWN BY: KY
CHECKED BY: -
DATE: 11/11/2016

TITLE: 2-7/8" O.D X 8' PIPE MOUNT KIT MOUNTS TO 3-1/2" O.D PIPE
SERIES: TOWER ANTENNA MOUNTS
PART WT (BARE): 54.8 LB
DRAWING NO. PMK278-96
SHEET: 1 OF 1