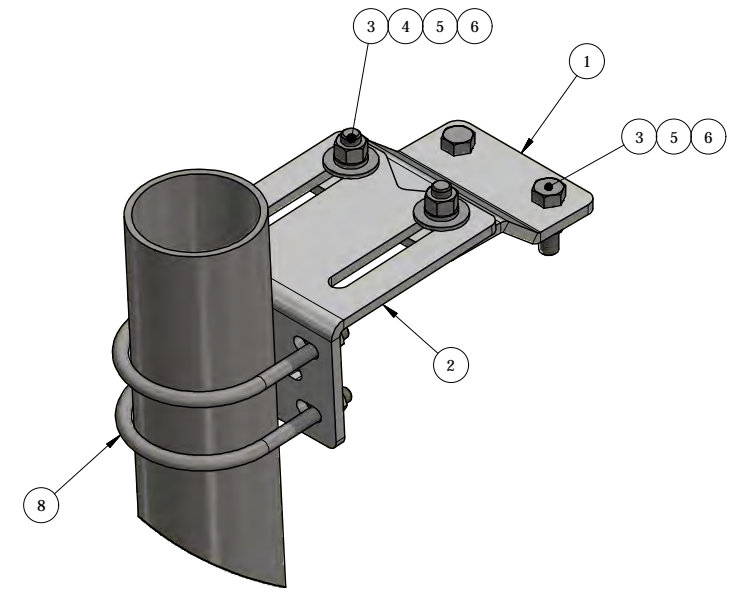
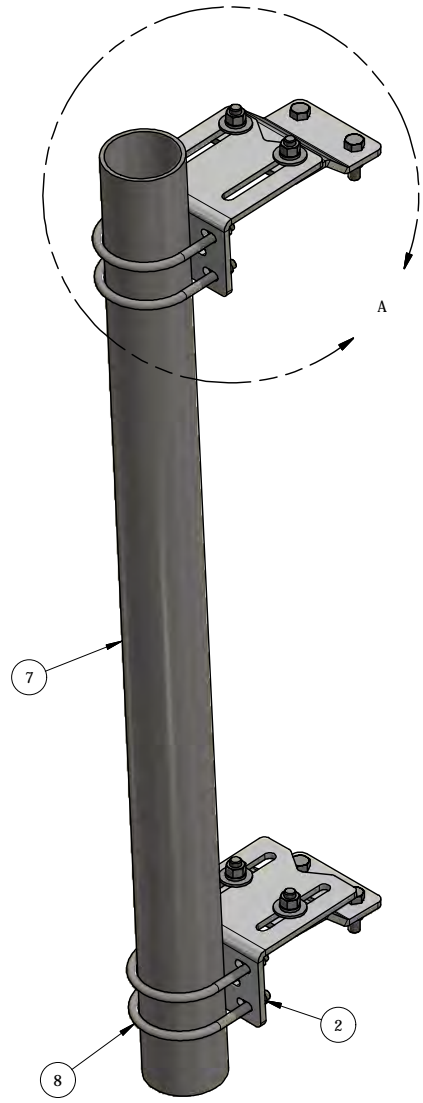


ITEM	PART #	DESCRIPTION	QTY	UNIT WT
1	PMSU.01	PIPE MOUNT BENT Z-PLATE	2	4.75
2	PMK-SU4.01	PIPE MOUNT BENT SLIDER PLATE, UNIVERSAL TAPER	2	7.58
3	27-4403-005	5/8" x 2" GR.5 HDG BOLT	8	0.27
4	27-5370-005	5/8" A36 HDG FLAT WASHER	4	0.08
5	27-5380-005	5/8" HDG LOCK WASHER	8	0.03
6	27-5391-005	5/8" HDG HEX NUT	8	0.08
7	P45-60	4" STD PIPE 5'-0" LONG	1	54.01
8	27-6130-005	GALV. 1/2" x 4-5/8" x 6" U-BOLT ASSEMBLY	4	1.05

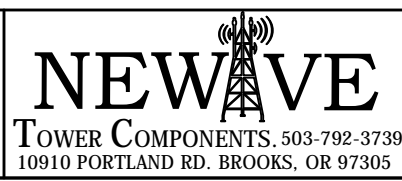


DETAIL A

QTY:
CHK:

STANDARD TOLERANCES:
(UNLESS OTHERWISE NOTED)
FRACTIONS - 1/16"
DECIMALS - .005"
ANGLES - .5°

THIS DESIGN AND INFORMATION CONTAINED ON THIS PRINT IS THE PROPERTY OF NEWAVE TOWER COMPONENTS LLC. ANY REPRODUCTION, DUPLICATION OR TRANSFER OF THE PROPRIETARY CONTENT IS PROHIBITED WITHOUT WRITTEN PERMISSION.



MATERIAL: AS SHOWN
HOLES: AS SHOWN
FINISH: HDG
DRAWN BY: KY
CHECKED BY:
DATE: 1/11/2016

TITLE: PIPE MOUNT SLIDER, UNIVERSAL TAPER W/ 4-1/2" O.D x 5'-0" PIPE
SERIES: TOWER ANTENNA MOUNTING
PART WT (BARE): 88.6 LB
DRAWING NO. PMSU-4560
SHEET: 1 OF 1