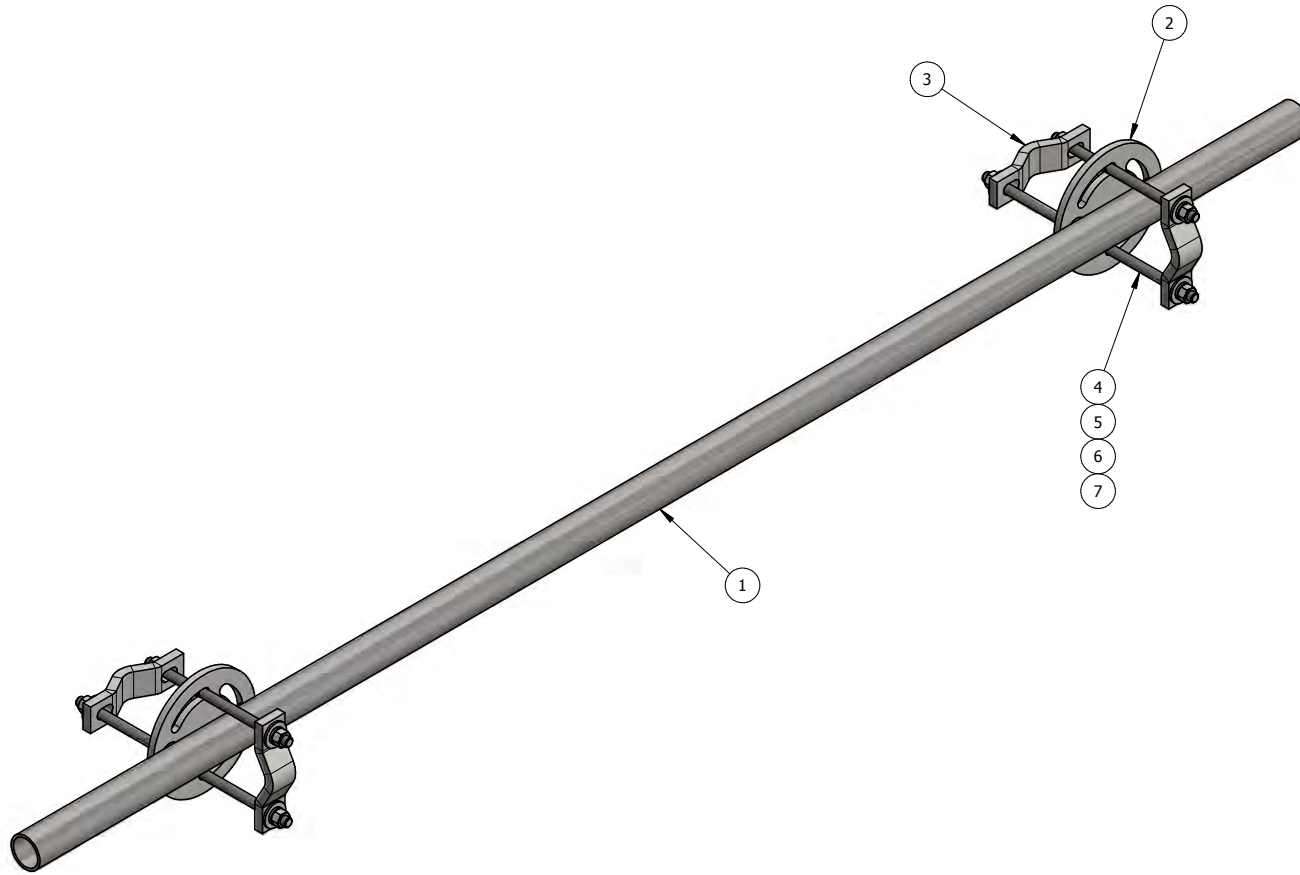


ITEM	PART #	DESCRIPTION	QTY	UNIT WT
1	P178-84	GALV. 1-1/2" STD PIPE, CUT @ 7' LONG (1-7/8" O.D)	1	19.04
2	CX13R.01	CROSS OVER PLATE (ROUND) FOR 1-1/2" TO 3-1/2" O.D PIPE	2	3.09
3	AMCS-3.01	HALF CLAMP FOR 1-1/2" TO 3-1/2" O.D ROUND	4	1.23
4	27-5321-005	GALV. 1/2" X 6" GR.5 CARRAGE BOLT	8	0.37
5	27-5200-005	GALV. 1/2" FLAT WASHER	8	0.04
6	27-5210-005	GALV. 1/2" LOCK WASHER	8	0.01
7	27-5222-005	GALV. 1/2" HEX NUT	8	0.04



QTY:
CHK:

STANDARD TOLERANCES:
(UNLESS OTHERWISE NOTED)

FRACTIONS	±1/16"
1 DECIMAL	±.1"
2 DECIMAL	±.03"
3 DECIMAL	±.005"
ANGLES	±.5°

THIS DESIGN AND INFORMATION CONTAINED ON THIS PRINT IS THE PROPERTY OF NEWAVE TOWER COMPONENTS LLC. ANY REPRODUCTION, DUPLICATION OR TRANSFER OF THE PROPRIETARY CONTENT IS PROHIBITED WITHOUT WRITTEN PERMISSION.


NEWAVE
 TOWER COMPONENTS. 503-792-3739
 10910 PORTLAND RD. BROOKS, OR 97305

MATERIAL:		AS SHOWN	
GRADE:	DRAWN BY:	KY	
AS SHOWN			
FINISH:	CHECKED BY:	-	
HDG			

TITLE:				PIPE STIFFENER KIT, 1-1/2" STD x 7' PIPE MOUNTS UP TO 3-1/2" O.D ROUND		
SERIES:				MONOPOLE MOUNTING		
DATE:	PART WT (BARE):	DRAWING NO.				
11/28/2016	33.9 LB	PSK178-84-3R2				