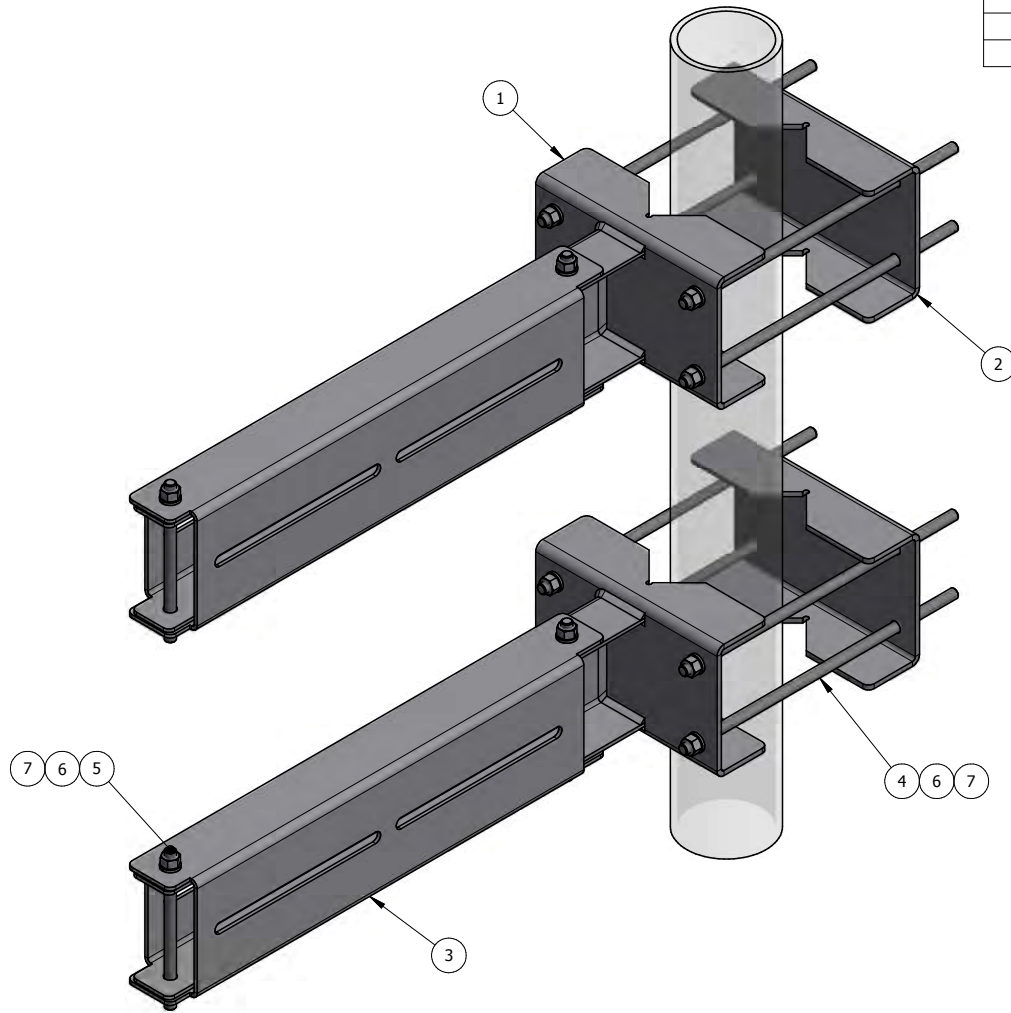


ITEM	PART #	DESCRIPTION	QTY	UNIT WT
1	RRUDS.01	RRU HORIZONTAL SUPPORT ARM WELDMENT	2	9.36
2	RRUDS.02	3/16" BENT CLAMP PLATE	2	3.60
3	RRUDS.04	10 GA BENT SUPPPORT ARM PLATE	2	5.63
4	TR38-12	GALV. 3/8" x 12" ALL-THREAD	8	0.38
5	TR38-6	GALV. 3/8" x 6" ALL-THREAD	4	0.19
6	27-5020-005	GALV. 3/8" LOCK WASHER	24	0.01
7	27-5030-005	GALV. 3/8" HEX NUT	24	0.02



QTY:  
CHK:

**STANDARD TOLERANCES:**  
(UNLESS OTHERWISE NOTED)  
FRACTIONS ±1/16"  
DECIMALS ±.005"  
ANGLES ±.5°

THIS DESIGN AND INFORMATION CONTAINED ON THIS PRINT IS THE PROPERTY OF NEWAVE TOWER COMPONENTS LLC. ANY REPRODUCTION, DUPLICATION OR TRANSFER OF THE PROPRIETARY CONTENT IS PROHIBITED WITHOUT WRITTEN PERMISSION.

**NEWAVE**  
Tower Components. 503-792-3739  
10910 PORTLAND RD. BROOKS, OR 97305

MATERIAL: AS SHOWN  
HOLES: AS SHOWN  
FINISH: HDG

DRAWN BY: JG  
CHECKED BY: CJW  
DATE: 7/15/2016

TITLE: RRU DUAL SWIVEL MOUNT  
FITS UP TO 4-1/2" O.D ROUND & 4" ANGLE  
SERIES: RRU CABINET MOUNTING  
PART WT (BARE): 41.5 LB  
DRAWING NO. RRUDS  
SHEET: 1 OF 1