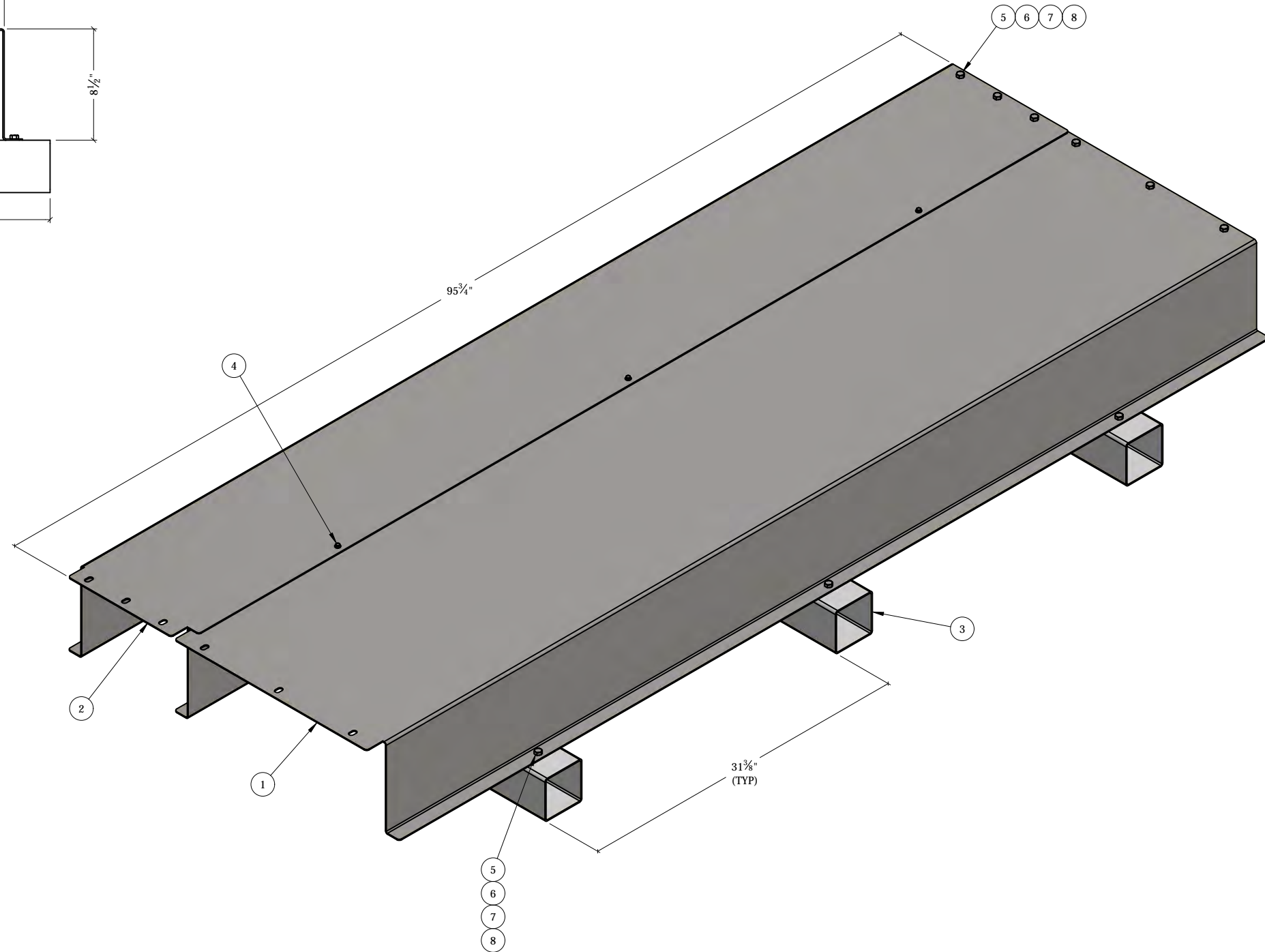


END VIEW



ITEM	PART #	QTY	DESCRIPTION	LENGTH	FINISH	UNIT WT
1	RT1542-8D.01	1	12 GA SHEET METAL		PG, G90	114.71
2	RT1542-12D.01	1	12 GA SHEET METAL		PG, G90	63.30
3	CA1600-12	3	PVC SQ. TUBE 4x4x1/8" @ 3'-4" LONG		PVC	3.51
4	27-8500-005	3	SS - #10 x 3/4" HEX SCREW, SELF DRILL W/ NEO			0.01
5	27-4200-005	12	3/8" x 1" GR.5 HDG BOLT			0.05
6	27-5010-005	12	3/8 A36 HDG FLAT WASHER			0.01
7	27-5020-005	12	3/8 HDG LOCK WASHER			0.01
8	27-5030-005	12	3/8" HDG HEX NUT			0.02

THIS DESIGN AND INFORMATION CONTAINED ON THIS PRINT IS THE PROPERTY OF VALLEY FAB CORPORATION. ANY REPRODUCTION, DUPLICATION OR TRANSFER OF THE PROPRIETARY CONTENT IS PROHIBITED WITHOUT WRITTEN PERMISSION.

STANDARD TOLERANCES:
(UNLESS OTHERWISE NOTED)
FRACTIONS - 1/16"
DECIMALS - 0.01"
ANGLES - 0.5°

NEWAVE
TOWER COMPONENTS, 503-792-3739
10910 PORTLAND RD. BROOKS, OR 97305

TOTAL WT: 189.65 LB
QTY:
FINISH: AS SHOWN
JOB #:

TITLE: ROOFTOP CABLE COVER, 8' SELF-SPLICE 12-RUN, 8-1/2" TALL, 33" WIDE		DRAWN BY: KY	DATE: 9/17/2018	CHK'D BY: -
SERIES: ROOFTOP	SHEET: 1 OF 1	DRAWING NO. RT1542-12D		