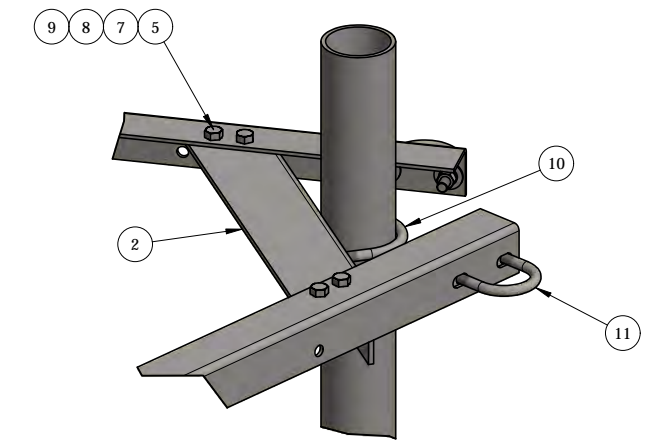
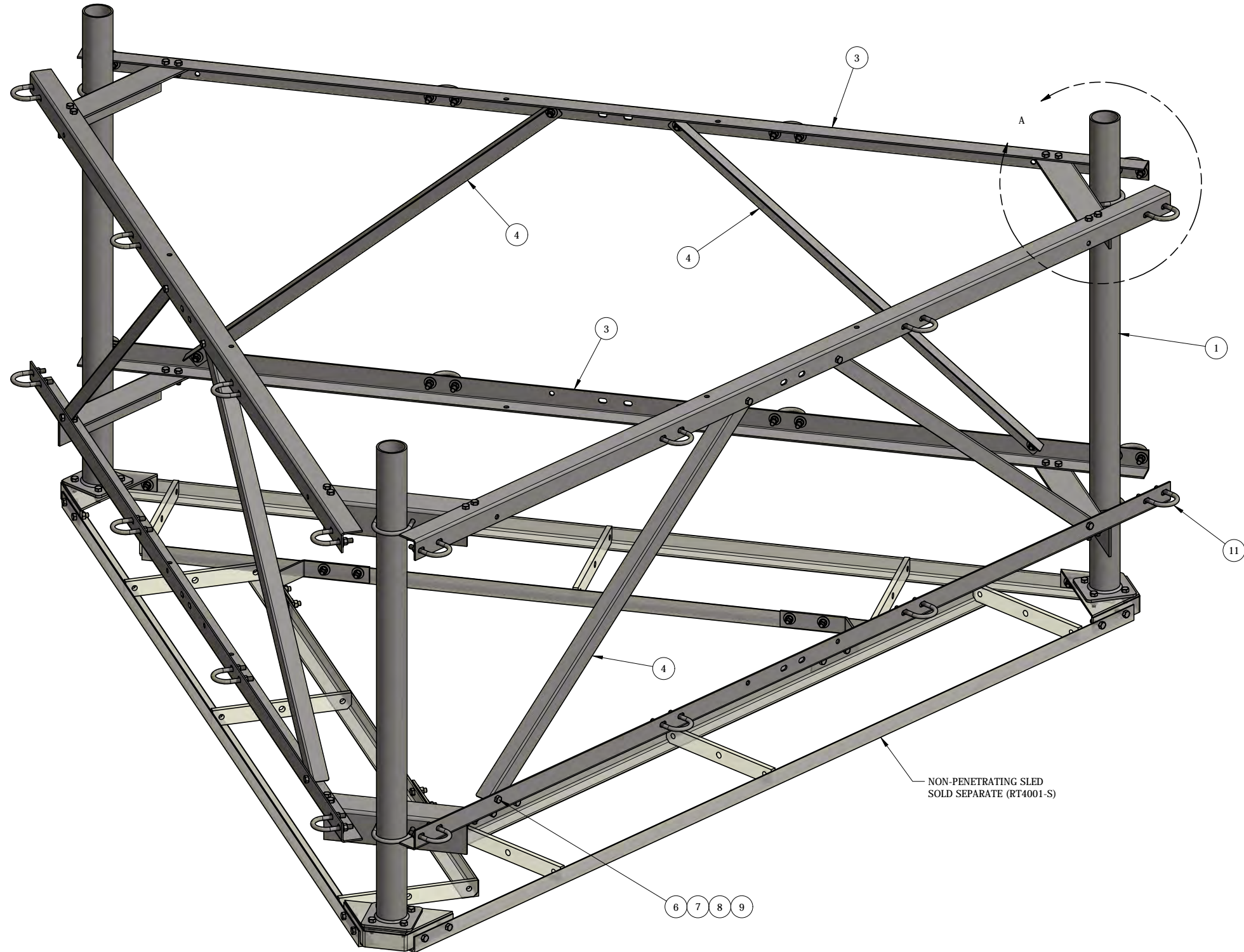


ITEM	PART #	DESCRIPTION	QTY
1	RT4001.01	3-SECTOR ROOFTOP FRAME PIPE COLUMN	3
2	RT4001.04	3-SECTOR ROOFTOP FRAME CORNOR BRACE ANGLE	6
3	RT4001.05	3-SECTOR ROOFTOP HORIZONTAL FACE ANGLE MEMBER	6
4	RT4001.06	3-SECTOR ROOFTOP FRAME BRACE ANGLE	6
5	27-4301-005	1/2" x 1 1/2" GR.5 HDG BOLT	36
6	27-4300-005	1/2" x 1 1/4" GR.5 HDG BOLT	12
7	27-5200-005	1/2" A36 HDG FLAT WASHER	36
8	27-5210-005	1/2" HDG LOCK WASHER	48
9	27-5222-005	1/2" HDG HEX NUT	48
10	27-6090-005	GALV. 1/2" x 3 5/8" x 5" U-BOLT ASSEMBLY	6
11	27-6060-005	GALV. 1/2" x 2-1/2" x 4" GR-5 U-BOLT ASSEMBLY	24



DETAIL - A

QTY:  
CHK:

**STANDARD TOLERANCES:**  
(UNLESS OTHERWISE NOTED)

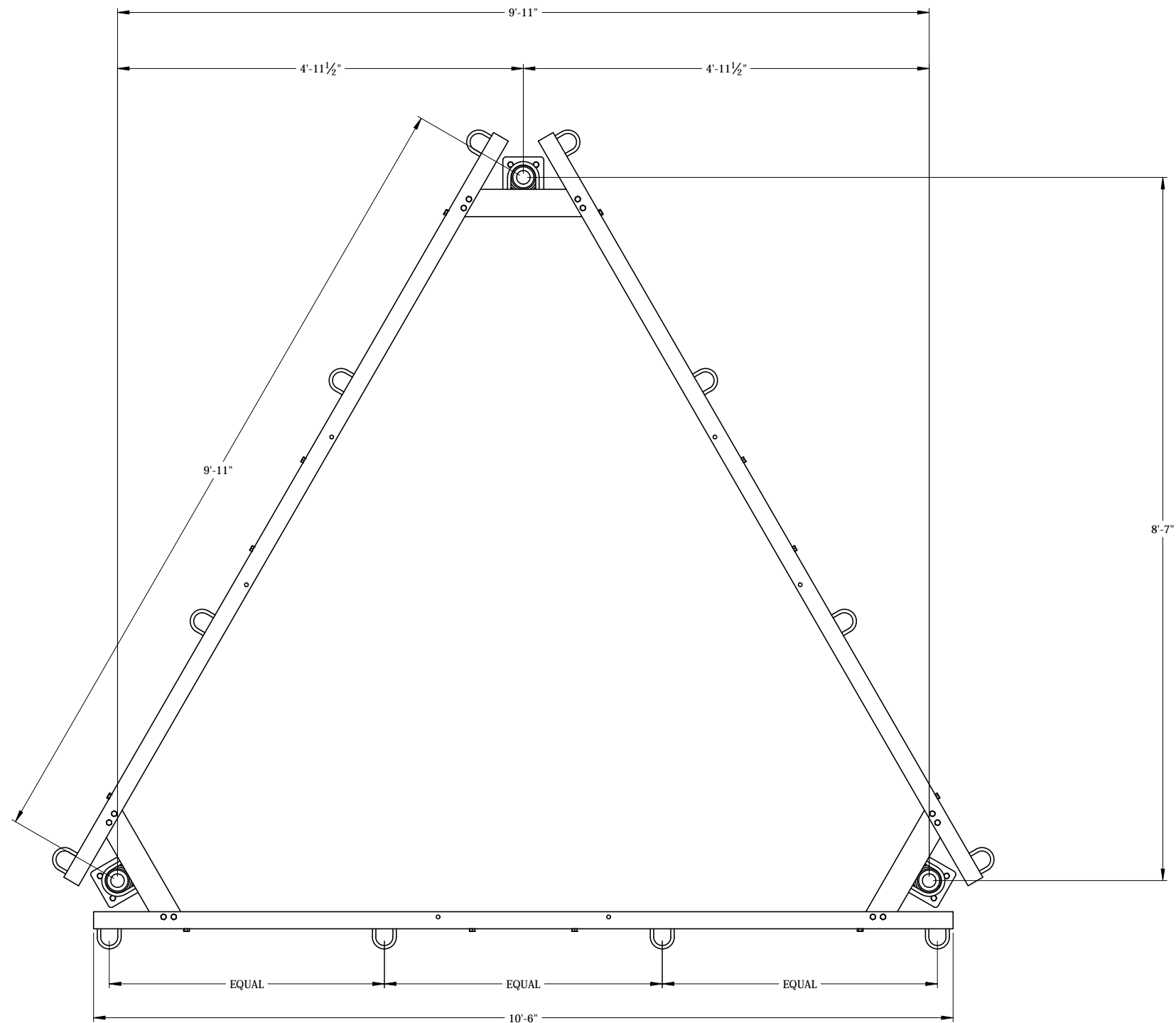
FRACTIONS	- 1/16"
1 DECIMAL	- .1"
2 DECIMAL	- .03"
3 DECIMAL	- .005"
ANGLES	- .55

THIS DESIGN AND INFORMATION CONTAINED ON THIS PRINT IS THE PROPERTY OF NEWAVE TOWER COMPONENTS LLC. ANY REPRODUCTION, DUPLICATION OR TRANSFER OF THE PROPRIETARY CONTENT IS PROHIBITED WITHOUT WRITTEN PERMISSION.

**NEWAVE**  
Tower Components, 503-792-3739  
10910 PORTLAND RD. BROOKS, OR 97305

MATERIAL:	SEE DETAILS
GRADE:	DRAWN BY: JG
FINISH:	CHECKED BY: -
	HDG

TITLE:		3-SECTOR ROOFTOP FRAME WITH 10'-6" FACE	
SERIES:		ROOFTOP/WALLMOUNT	
DATE:	PART WT (BARE):	DRAWING NO.:	
10/29/2013	439.15 LB	RT4001	



TOP VIEW

QTY:  
CHK:

**STANDARD TOLERANCES:**  
(UNLESS OTHERWISE NOTED)

FRACTIONS	- 1/16"
1 DECIMAL	- .1"
2 DECIMAL	- .03"
3 DECIMAL	- .005"
ANGLES	- .5°

THIS DESIGN AND INFORMATION CONTAINED ON THIS PRINT IS THE PROPERTY OF NEWAVE TOWER COMPONENTS LLC. ANY REPRODUCTION, DUPLICATION OR TRANSFER OF THE PROPRIETARY CONTENT IS PROHIBITED WITHOUT WRITTEN PERMISSION.

**NEWAVE**  
Tower Components. 503-792-3739  
10910 PORTLAND RD. BROOKS, OR 97305

MATERIAL:	SEE DETAILS
GRADE:	SEE DETAILS
FINISH:	HDG

TITLE:		3-SECTOR ROOFTOP FRAME WITH 10'-6" FACE	
DRAWN BY:		JG	
SERIES:		ROOFTOP/WALLMOUNT	
DATE:	CHECKED BY:	PART WT (BARE):	DRAWING NO.
10/29/2013	-	439.15 LB	RT4001