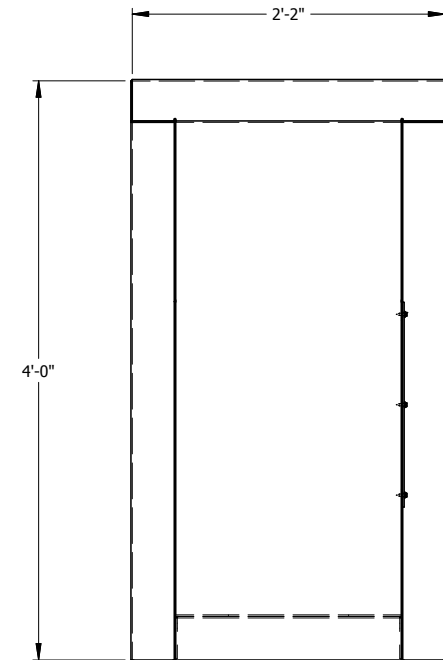
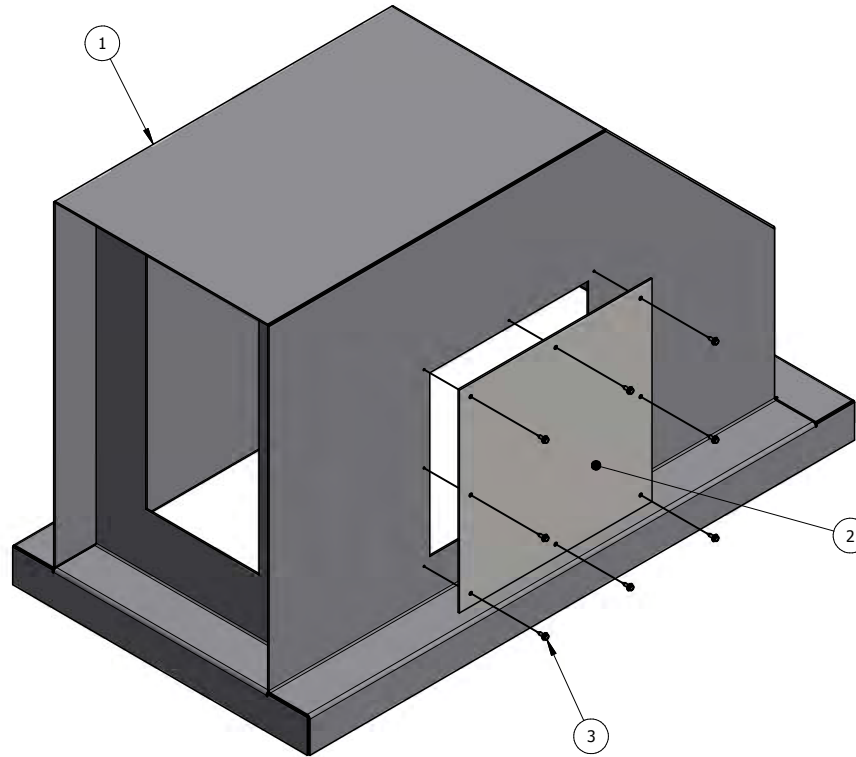


ITEM	PART #	DESCRIPTION	QTY	UNIT WT
1	RT4002-68.01	ROOFTOP HOODED ENTRY WELDMENT FOR 2' x 3' & 2' x 4'	1	152.72
2	RT4002.06	11 GA SIDE LID PLATE	1	9.79
3	27-8500-005	SS - #10 x 3/4" HEX SCREW, SELF DRILL W/ NEO WASHER	8	0.01



TOP VIEW

QTY:
CHK:

STANDARD TOLERANCES:
(UNLESS OTHERWISE NOTED)
FRACTIONS ±1/16"
DECIMALS ±.005"
ANGLES ±.5°

THIS DESIGN AND INFORMATION CONTAINED ON THIS PRINT IS THE PROPERTY OF NEWAVE TOWER COMPONENTS LLC. ANY REPRODUCTION, DUPLICATION OR TRANSFER OF THE PROPRIETARY CONTENT IS PROHIBITED WITHOUT WRITTEN PERMISSION.

NEWAVE
TOWER COMPONENTS. 503-792-3739
10910 PORTLAND RD. BROOKS, OR 97305

MATERIAL: AS SHOWN	DRAWN BY: KY	TITLE: ROOFTOP HOODED ENTRY (DOG HOUSE) FOR 2' x 3' & 2' x 4'		
HOLES: AS SHOWN	CHECKED BY:	SERIES: ROOFTOP/ WALLMOUNT		
FINISH: HDG	DATE: 11/28/2016	PART WT (BARE): 162.6 LB	DRAWING NO. RT4002-68	SHEET: 1 OF 1