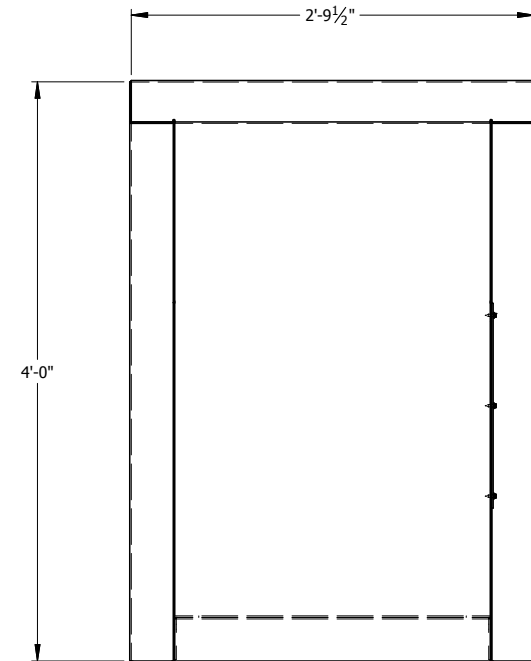
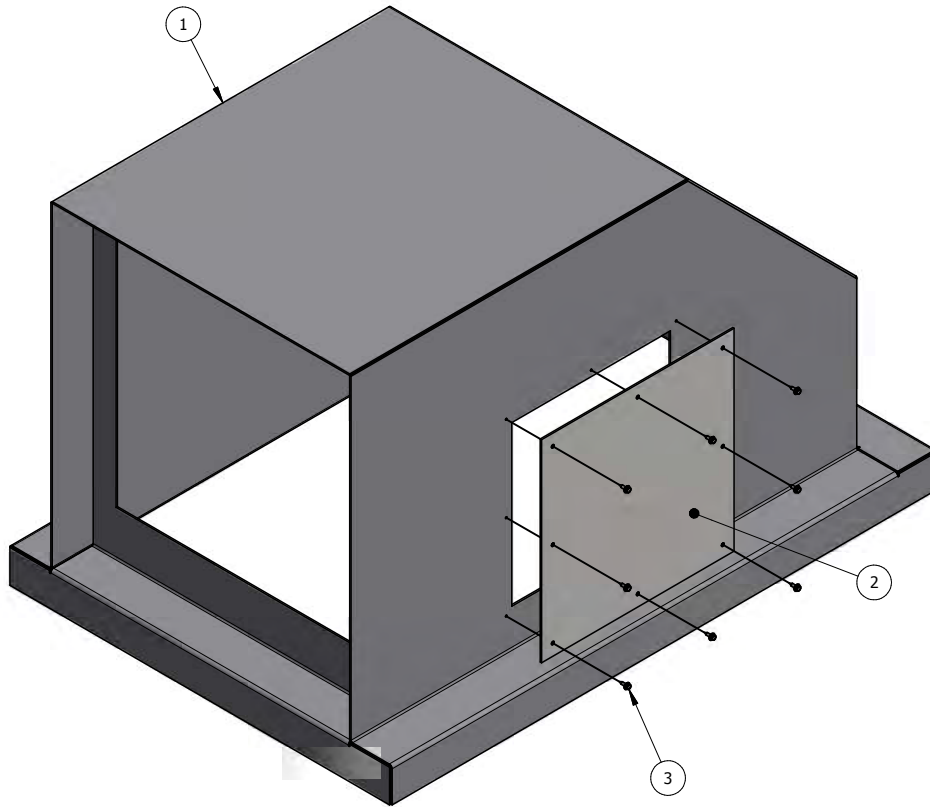


ITEM	PART #	DESCRIPTION	QTY	UNIT WT
1	RT4002.01	ROOFTOP HOODED ENTRY WELDMENT FOR 3' x 4' & 4' x 4'	1	169.88
2	RT4002.06	11 GA SIDE LID PLATE	1	9.79
3	27-8500-005	SS - #10 x 3/4" HEX SCREW, SELF DRILL W/ NEO WASHER	8	0.01



TOP VIEW

QTY:  
CHK:

**STANDARD TOLERANCES:**

(UNLESS OTHERWISE NOTED)  
 FRACTIONS ±1/16"  
 DECIMALS ±.005"  
 ANGLES ±.5°

THIS DESIGN AND INFORMATION CONTAINED ON THIS PRINT IS THE PROPERTY OF NEWAVE TOWER COMPONENTS LLC. ANY REPRODUCTION, DUPLICATION OR TRANSFER OF THE PROPRIETARY CONTENT IS PROHIBITED WITHOUT WRITTEN PERMISSION.



**NEWAVE**  
 TOWER COMPONENTS. 503-792-3739  
 10910 PORTLAND RD. BROOKS, OR 97305

MATERIAL: <b>AS SHOWN</b>	DRAWN BY: <b>KY</b>
HOLES: <b>AS SHOWN</b>	CHECKED BY:
FINISH: <b>HDG</b>	DATE: <b>11/28/2016</b>

TITLE: <b>ROOFTOP HOODED ENTRY (DOG HOUSE) FOR 3' x 4' &amp; 4' x 4'</b>		
SERIES: ROOFTOP/ WALLMOUNT		
PART WT (BARE): <b>179.8 LB</b>	DRAWING NO. <b>RT4002</b>	SHEET: <b>1 OF 1</b>