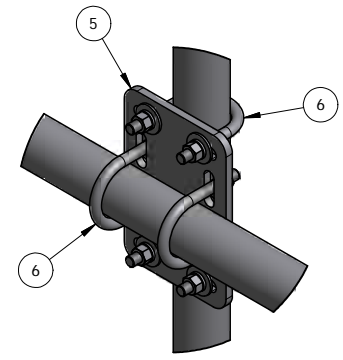
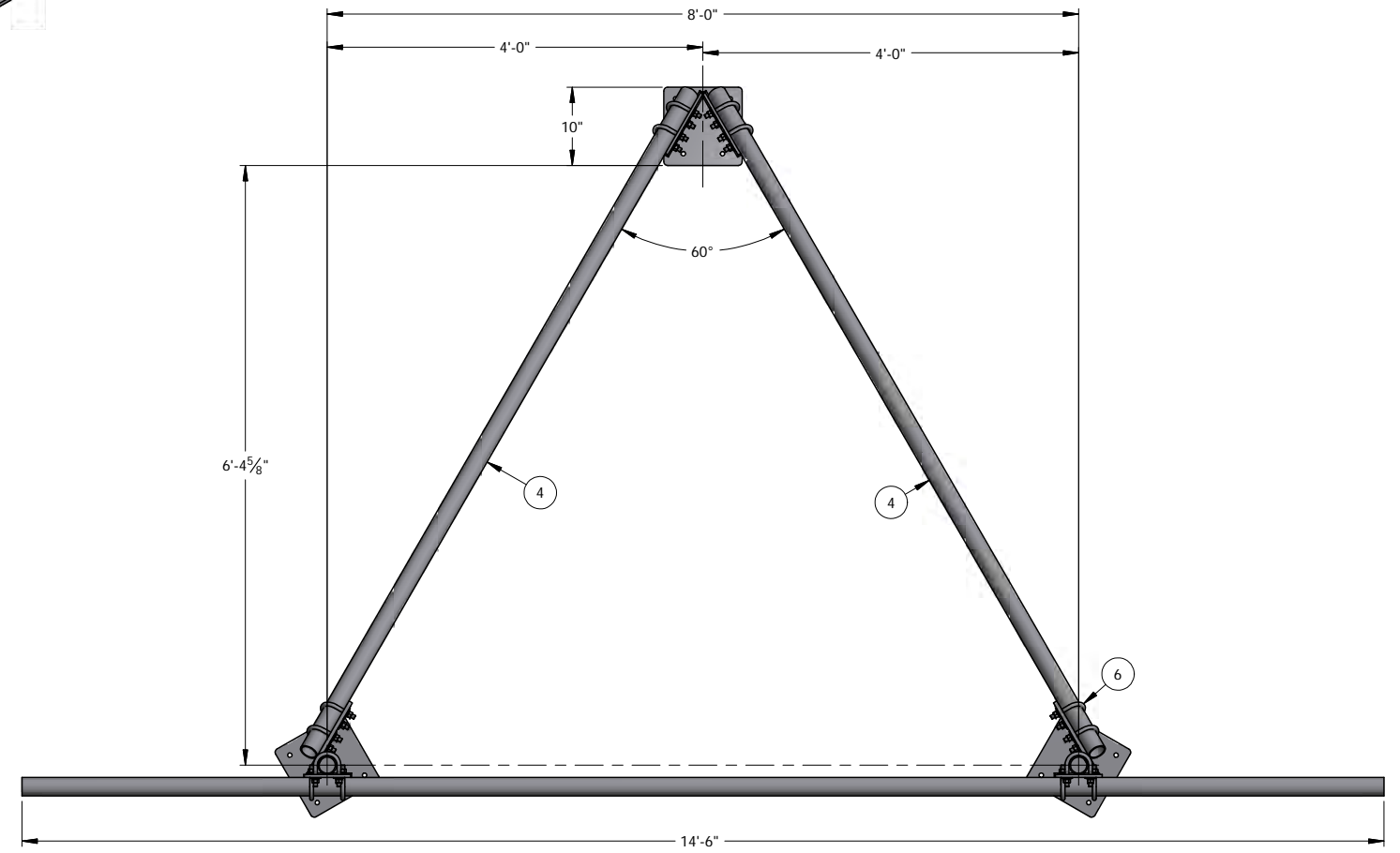
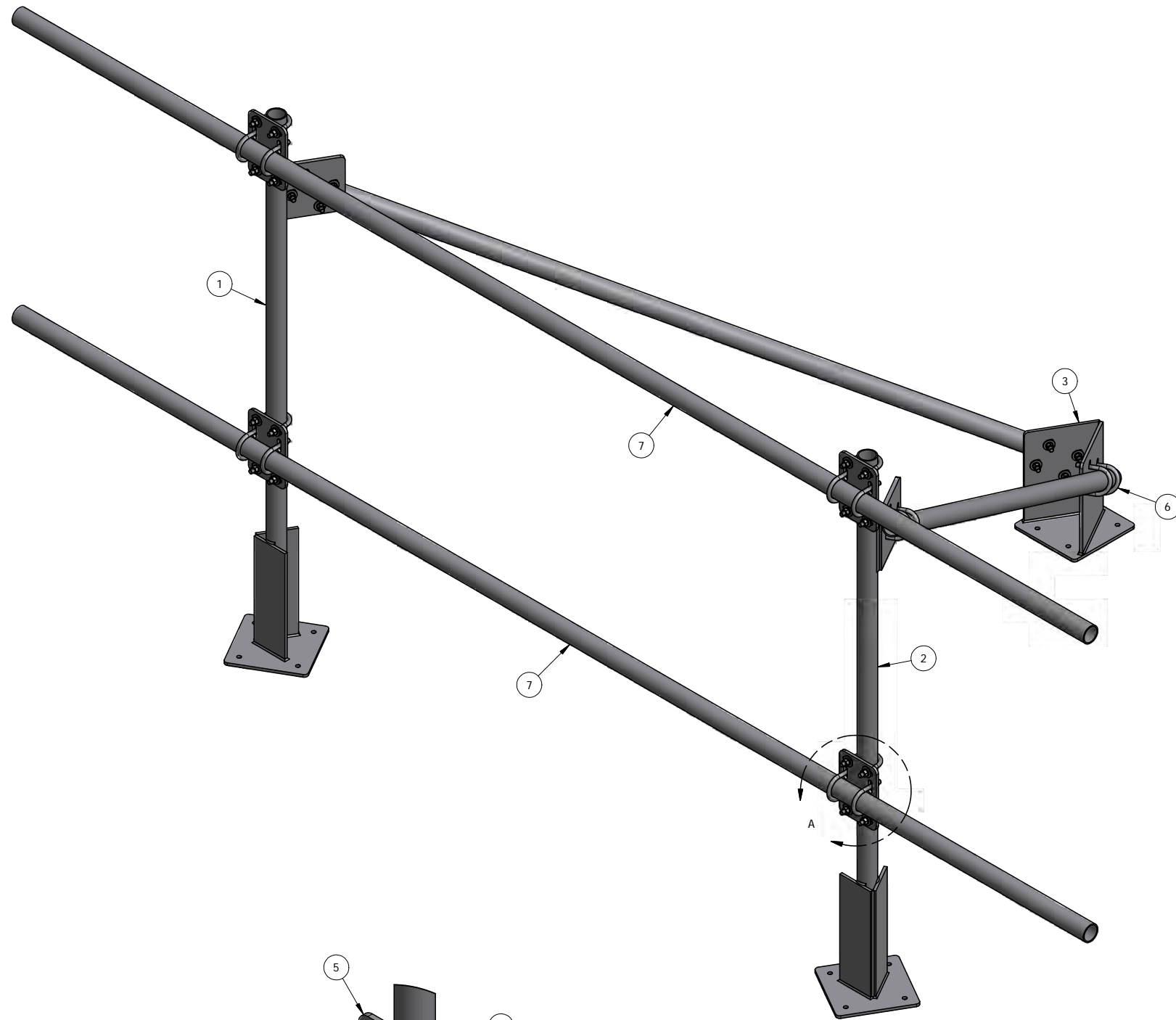


ITEM	PART #	DESCRIPTION	QTY	UNIT WT
1	RT4003.01	ROOFTOP PENETRATION FRAME POST WELDMNT (LEFT SIDE)	1	55.68
2	RT4003.02	ROOFTOP PENETRATION FRAME POST WELDMNT (RIGHT SIDE)	1	55.68
3	RT4003.04	ROOFTOP PENETRATING TIEBACK WELDMNT	1	34.31
4	RT4003.07	GALV. 2" STD PIPE @ 9'-6" LONG	2	34.78
5	CXP1	CROSS OVER PLATE 2-3/8" TO 3-1/2" O.D PIPE (3/8" PLATE)	4	4.82
6	27-6060-005	GALV. 1/2" x 2-1/2" x 4" U-BOLT ASSEMBLY	24	0.77
7	P23-174	GALV. 2" STD PIPE @ 14'-6" LONG	2	53.09



DETAIL A

TOP VIEW

QTY:  
CHK:

**STANDARD TOLERANCES:**  
(UNLESS OTHERWISE NOTED)  
FRACTIONS ±1/16"  
DECIMALS ±.005"  
ANGLES ±.5°

THIS DESIGN AND INFORMATION CONTAINED ON THIS PRINT IS THE PROPERTY OF NEWAVE TOWER COMPONENTS LLC. ANY REPRODUCTION, DUPLICATION OR TRANSFER OF THE PROPRIETARY CONTENT IS PROHIBITED WITHOUT WRITTEN PERMISSION.



MATERIAL: AS SHOWN	DRAWN BY: KY	TITLE: ROOFTOP PENETRATING SINGLE FRAME KIT W/ 14'-6" FACE	
HOLES: AS SHOWN	CHECKED BY:	SERIES: ROOFTOP/ WALL MOUNT	
FINISH: HDG	DATE: 1/23/2015	PART WT (BARE): 359.1 LB	DRAWING NO. RT4003-14
		SHEET: 1	OF 1