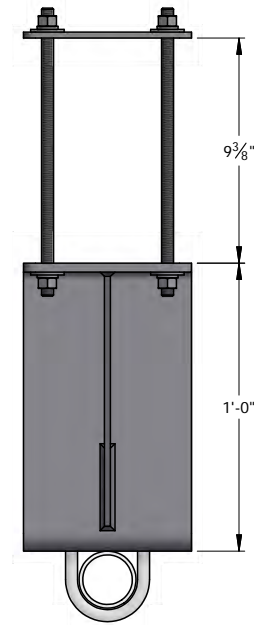
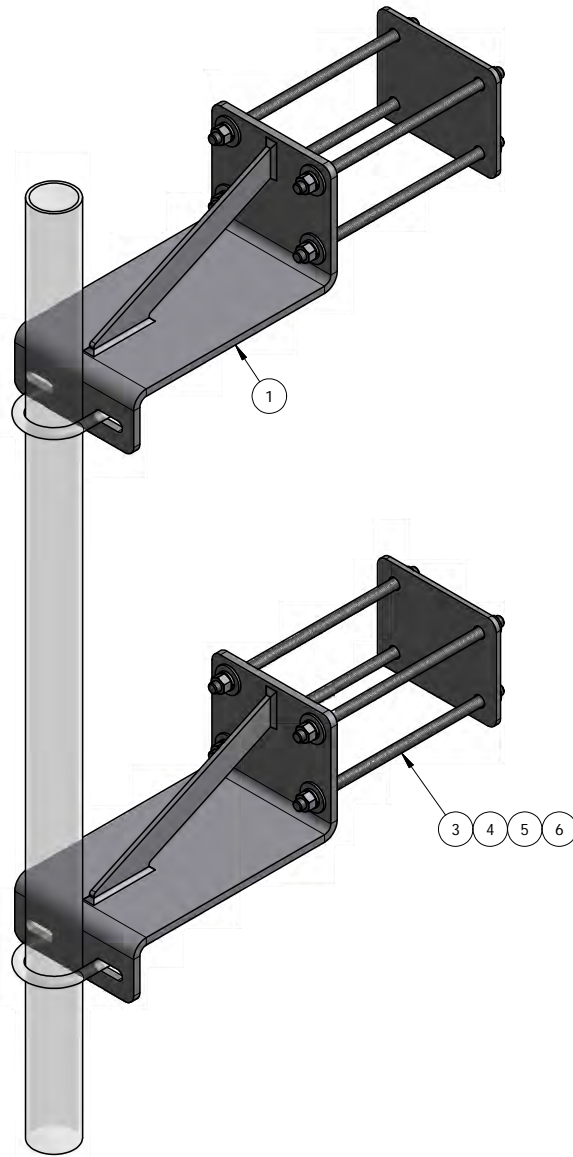


ITEM	PART #	DESCRIPTION	QTY	UNIT WT
1	RT4017	12" STAND OFF WALL MOUNT WELDMENT	2	15.71
2	RT4017.04	WALL MOUNT CLAMP PLATE (HOLLOW WALL)	2	2.63
3	TR12-12	GALV. 1/2" x 12" ALL-THREAD	8	0.67
4	27-5200-005	GALV. 1/2" FLAT WASHER	16	0.04
5	27-5210-005	GALV. 1/2" LOCK WASHER	16	0.01
6	27-5222-005	GALV. 1/2" HEX NUT	16	0.04



TOP VIEW

QTY:
CHK:

STANDARD TOLERANCES:
(UNLESS OTHERWISE NOTED)
FRACTIONS ± 1/16"
DECIMALS ± .005"
ANGLES ± .5°

THIS DESIGN AND INFORMATION CONTAINED ON THIS PRINT IS THE PROPERTY OF NEWAVE TOWER COMPONENTS LLC. ANY REPRODUCTION, DUPLICATION OR TRANSFER OF THE PROPRIETARY CONTENT IS PROHIBITED WITHOUT WRITTEN PERMISSION.

NEWAVE
Tower Components
10910 PORTLAND RD. BROOKS, OR 97305
503-792-3739

MATERIAL: AS SHOWN
HOLES: AS SHOWN
FINISH: HDG
DRAWN BY: KY
CHECKED BY:
DATE: 1/14/2014

TITLE: ADJUSTABLE WALL MOUNT W/ 12" STAND OFF (HOLLOW WALL)
SERIES: ROOFTOP/WALL MOUNT
PART WT (BARE): 43.6 LB
DRAWING NO. RT4017-H
SHEET: 1 OF 1